



產品規格書

產品型號：SL088IPW1-A00

PRODUCT NO. : SL088IPW1-A00

VERSION : _____

ISSUED DATE : _____

This module uses ROHS material

FOR CUSTOMER : _____

: APPROVAL FOR SPECIFICATION

: APPROVAL FOR SAMPLE

DATE	APPROVED BY

Solonic :

Presented by	Reviewed by	Organized by

Note:

1.Solonic Technology Co.,Ltd. reserves the right to make changes without futher notice to any products

hereinto improve reliability, function or design.

2.All rights are reserved. No one is permitted to reproduce or duplicate the whole or part of ths document

without Solonic Technology Co., Ltd. permission.

Record of Revisions

Rev.	Date	Sub-Model	Description of change
1.0	Dec, 26, 2021	-A00	Formal Product Specification was first released.
2.0	2023/6/20		update drawing

THIS DOCUMENT IS THE SOLE PROPERTY OF **SOLONIC TECHNOLOGY CO., LTD.**
 AND SHOULD NOT BE USED IN WHOLE OR IN PART WITHOUT PRIOR WRITTEN PERMISSION

本文件屬於碩享科技有限公司獨有財產，未經書面許可不得使用或部分使用

Contents

1.0	General description	p.4
2.0	Absolute maximum ratings.....	p.5
3.0	Optical characteristics.....	p.6
4.0	Block diagram	p.10
5.0	Interface pin connection	p.12
6.0	Electrical characteristics	p.13
7.0	Reliability test items	p.19
8.0	Outline dimension	p.20
9.0	Package specification	p.21

1.0 GENERAL DESCRIPTION

1.1 Introduction

Solonic Display model SL088IPW1-A 0 0 is a color active matrix thin film transistor (TFT) liquid crystal display (LCD) that uses amorphous silicon TFT as a switching device. This model is composed of a TFT LCD panel, a driving circuit and a back light system. This TFT LCD has a 8.8 (1:4) inch diagonally measured active display area with (480 horizontal by 1920 vertical pixel) resolution.

1.2 Features

- 8.8 inch (1:4 diagonal) configuration
- 16.7M color
- RoHS/ Halogen Free Compliance

1.3 Applications

- Automotive

1.4 TFT LCD General information

Item	Specification	Unit	
Outline Dimension	64.3 x 231.3 (typ)	mm	
Display area	54.72(H) x 218.88(V)	mm	
Number of Pixel	480 RGB (H) x 1920(V)	pixels	
Pixel pitch	0.114(H) x 0.114(V)	mm	
Pixel arrangement	RGB Vertical stripe		
Display mode	Normally Black		
NTSC	50 (typ.)	%	
Surface treatment	HC		
Weight	100g (Typ.)	g	
Back-light	White LED		
Power Consumption	Logic	0.65 (Max) @ White pattern 、 Frame rate 60Hz	W
	BL System	2.8 (Max) @ Black pattern w/o LED driver	W

1.5 Mechanical Information

Item	Min.	Typ.	Max.	Unit	
Module Size	Horizontal (H)	64.0	64.3	64.6	mm
	Vertical (V)	231.0	231.3	231.6	mm
	Depth (D)	—	4.8	5.1	mm
Weight	—	100	—	g	

2.0 ABSOLUTE MAXIMUM RATINGS

2.1 Electrical Absolute Rating

2.1.1 TFT LCD Module

Item	Symbol	Min.	Max.	Unit	Note
Power supply voltage	V _{DD}	-0.5	4.0	V	
	V _{GH}	15	26	V	
	V _{GL}	-11.5	-4	V	
	AV _{DD}	7	12.5	V	
Logic Signal Input Level	V _{DD}	-0.5	4.0	V	

2.1.2 Backlight unit

Item	Symbol	Typ.	Max.	Unit	Note
LED current	I _L	160	-	mA	(1) (2)(3)
LED voltage	V _L	16	17.5	V	(1) (2)(3)
LED reverse voltage	V _R	--	5	V	
LED forward current	I _F		80	mA	

Note:

- (1) Permanent damage may occur to the LCD module if beyond this specification. Functional operation should be restricted to the conditions described under normal operating conditions.
- (2) Ta =25±2°C
- (3) Test Condition: LED current 160 mA. The LED lifetime could be decreased if operating IL is larger than 160mA.

2.1.3 Environment Absolute Rating

Item	Symbol	Min.	Max.	Unit	Note
Operating Temperature	T _{opa}	-20	70	°C	
Storage Temperature	T _{stg}	-30	80	°C	

3.0 OPTICAL CHARACTERISTICS

3.1 Optical specification

Item		Symbol	Condition	Min.	Typ.	Max.	Unit	Note
Contrast		CR	$\Theta=0$ Normal viewing angle	600	800	—		(1)(2)(4)
Response time		Tr+Tf		—	30	40	msec	(1)(3)
White luminance (Center)		Y_L		480	600	—	cd/m ²	(1)(4) ($I_L=160mA$)
Color chromaticity (CIE1931)	Red	R_x	$\Theta=0$ Normal viewing angle	0.576	0.626	0.676		(1)(4)
		R_y		0.295	0.345	0.395		
	Green	G_x		0.262	0.312	0.362		
		G_y		0.493	0.543	0.593		
	Blue	B_x		0.097	0.147	0.197		
		B_y		0.059	0.109	0.159		
	White	W_x		0.250	0.300	0.350		
		W_y		0.272	0.322	0.372		
Viewing angle	Hor.	Θ_L	$CR>10$	75	85	—		(1)(4)
		Θ_R		75	85	—		
	Ver.	Θ_U		75	85	—		
		Θ_D		75	85	—		
Brightness uniformity		B_{UNI}	$\Theta=0$ (9point)	70	80	—		(5)
View Direction		ALL						(6)

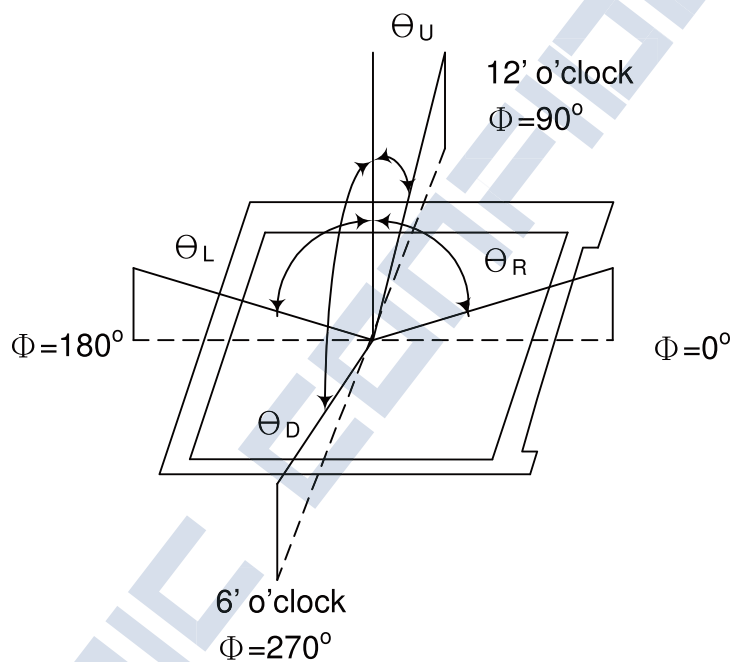
3.2 Measuring Condition

- Measuring surrounding : dark room
- LED current I_L : 160mA
- Ambient temperature : 25±2°C
- 15min. warm-up time.

3.3 Measuring Equipment

- FPM520 of Westar Display technologies, INC., which utilized SR-3 for Chromaticity and BM-5A for other optical characteristics.
- Measuring spot size : 20 ~ 21 mm

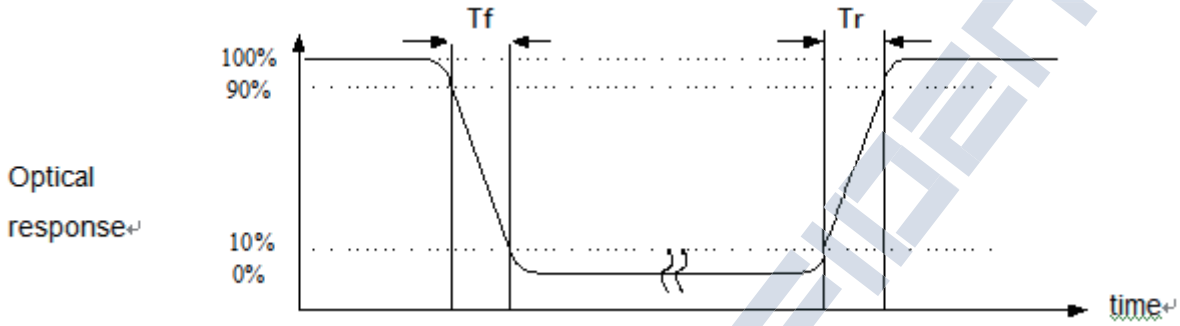
Note (1) Definition of Viewing Angle:



Note (2) Definition of Contrast Ratio (CR) :
measured at the center point of panel

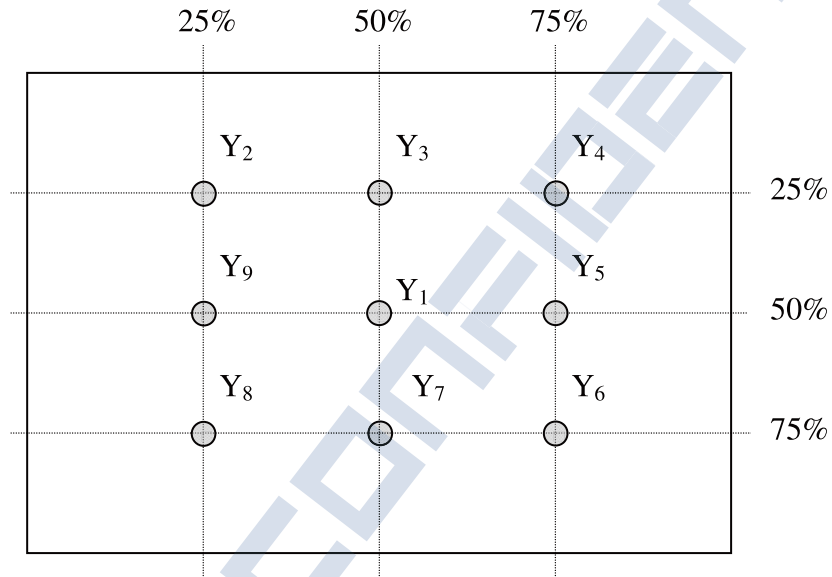
$$CR = \frac{\text{Luminance with all pixels white}}{\text{Luminance with all pixels black}}$$

Note (3) Definition of Response Time : Sum of T_R and T_F



Note (4) Definition of optical measurement setup

Note (5) Definition of Average Luminance Uniformity of White (Center)
Definition of brightness uniformity

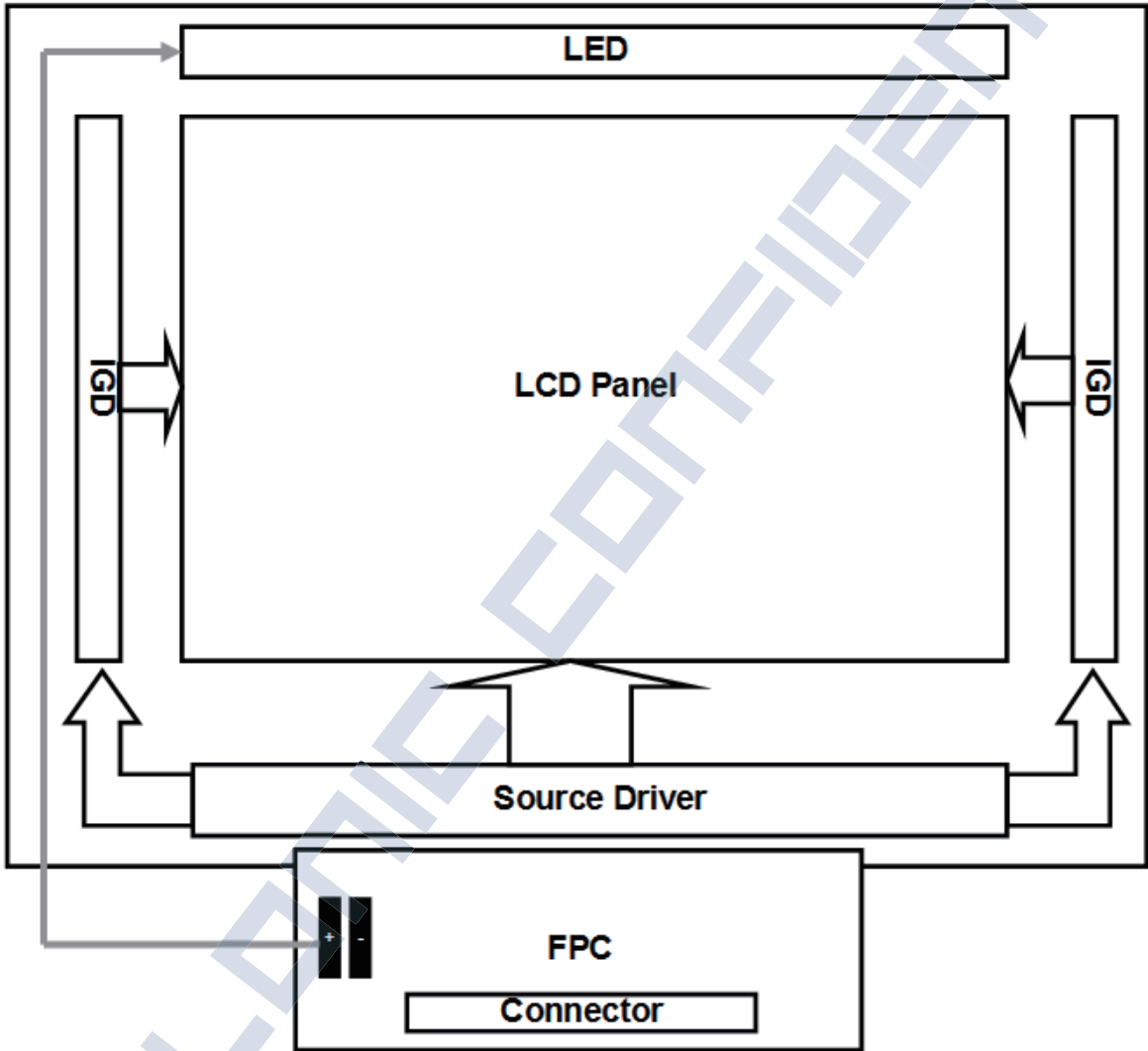


$$\text{Luminance uniformity} = \frac{(\text{Min Luminance of 9 points})}{(\text{Max Luminance of 9 points})} \times 100\%$$

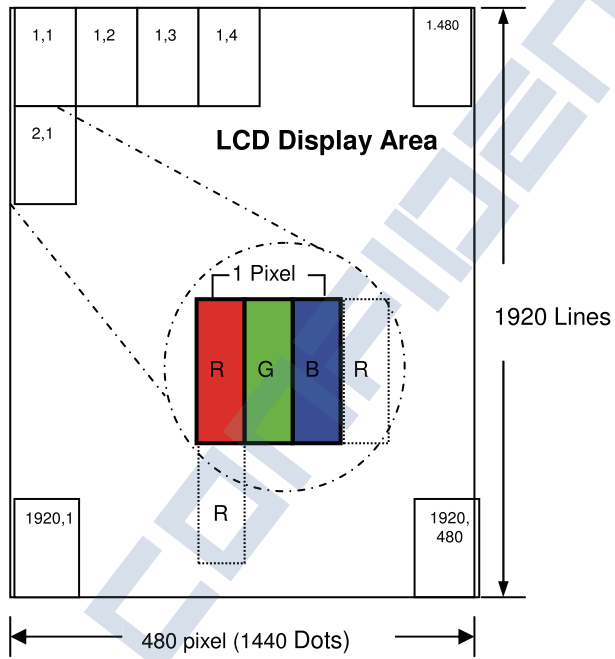
Note (6) Rubbing Direction (The different Rubbing Direction will cause the different optimal view direction.)

4.0 BLOCK DIAGRAM

4.1 TFT LCD Module



4.2 Pixel Format



5.0 INTERFACE PIN CONNECTION

Pin No.	Symbol	I/O	Function
1	GND	P	Ground
2	NC	---	No connection
3	LED+	P	LED Anode
4	LED+	P	LED Anode
5	NC	---	No connection
6	LED-	P	LED Cathode
7	LED-	P	LED Cathode
8	NC	---	No connection
9	GND	P	Ground
10	NC	---	No connection
11	AVDD	P	Power supply for analog circuit
12	NC	---	No connection
13	VGH	P	Power supply for analog circuit
14	NC	---	No connection
15	VGL	P	Power supply for analog circuit
16	NC	---	No connection
17	GND	P	Ground
18	VCOM	P	Power supply for common voltage
19	GND	P	Ground
20	GND	P	Ground
21	RESET	I	Global reset
22	VDD	P	Power supply for digital circuits
23	STBYB	I	Standby mode
24	TP_Sync	O	Sync signal for touch panel
25	GND	P	Ground
26	D0P	I	MIPI Data Input Lane0 positive-end
27	D0N	I	MIPI Data Input Lane0 negative-end
28	GND	P	Ground
29	D1P	I	MIPI Data Input Lane1 positive-end
30	D1N	I	MIPI Data Input Lane1 negative-end
31	GND	P	Ground
32	CLKP	I	MIPI Clock Input positive-end
33	CLKN	I	MIPI Clock Input negative-end
34	GND	P	Ground
35	D2P	I	MIPI Data Input Lane2 positive-end
36	D2N	I	MIPI Data Input Lane2 negative-end
37	GND	P	Ground

38	D3P	I	MIPI Data Input Lane3 positive-end
39	D3N	I	MIPI Data Input Lane3 negative-end
40	GND	P	Ground

6.0 ELECTRICAL CHARACTERISTICS

6.1 TFT LCD Module

Item	Symbol	Min.	Typ.	Max.	Unit	Note
Supply Voltage	VDD	3.0	3.3	3.6	V	
	VGH	17.0	18.0	19.0	V	
	VGL	-11	-10	-9	V	
	AVDD	11.8	12	12.2	V	
VCOM	VCOM	4.5	4.88	5.2	V	Note (1)
Input signal voltage	ViH	0.7 VDD	-	VDD	V	Note (2)
	ViL	0	-	0.3 VDD	V	
Current of power supply	IDD	-	-	35	mA	VDD =3.3V
	IADD	-	-	30	mA	AVDD=12V
	IGH	-	-	5	mA	VGH=18V
	IGL	-	-	-5	mA	VGL= -10V
	Ivcom	-	-	0.1	mA	Vcom= 4.88V

Note (1): Please adjust VCOM to make the flicker level minimum.

Note (2) :RESET、STBYB、TP_Sync

6.2 MIPI DC Characteristics

6.2.1 HS Receiver DC Specification

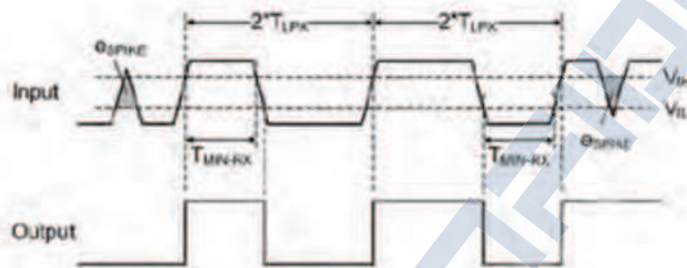
Parameter	Symbol	Rating			Unit	Note
		Min	Typ	Max		
Operation Voltage	VDD	1.5-10%	1.5	1.5+10%	mV	
Differential Input Voltage	VID	70	200	260	mV	
Common Mode Voltage	V _{CMRX(DC)}	70	-	330	mV	
Differential Input High Threshold Voltage	V _{TH}	-	-	70	mV	
Differential Input Low Threshold Voltage	V _{TL}	-70	-	-	mV	
Singled-ended input high voltage	V _{IHS}	-	-	460	mV	
Singled-ended input low voltage	V _{ILHS}	-40	-	-	mV	
Singled-ended threshold for HS termination enable	V _{TERM-EN}	-	-	450	mV	
Differential input impedance	Z _{ID}	80	100	125	ohm	
Pin leakage current	I _{LEAK}	-10	-	10	uA	
Common-mode interference beyond 450MHz	ΔV _{CMRX(HF)}	-	-	100	mV	
Common-mode interference 50MHz - 450MHz	ΔV _{CMRX(LF)}	-50	-	50	mV	
Common-mode termination	C _{CM}	-	-	60	pF	
Embedded Termination	R _T	90	100	110	ohm	2bits RT_SEL[1: 0] for termination resistor selection 00 → 200ohm 10, 01 → 150ohm 11 → 100ohm (default) 1bit ERMEN for termination resistor enable TERM_EN=0, termr disable R=(OPEN) TERM_EN=1, termr enable

Note:

- (1) Excluding possible additional RF interference of 100mV peak sine wave beyond 450MHz.
- (2) This table value includes a ground difference of 50mV between the transmitter and the receiver, the static common-mode level tolerance and variations below 450MHz.

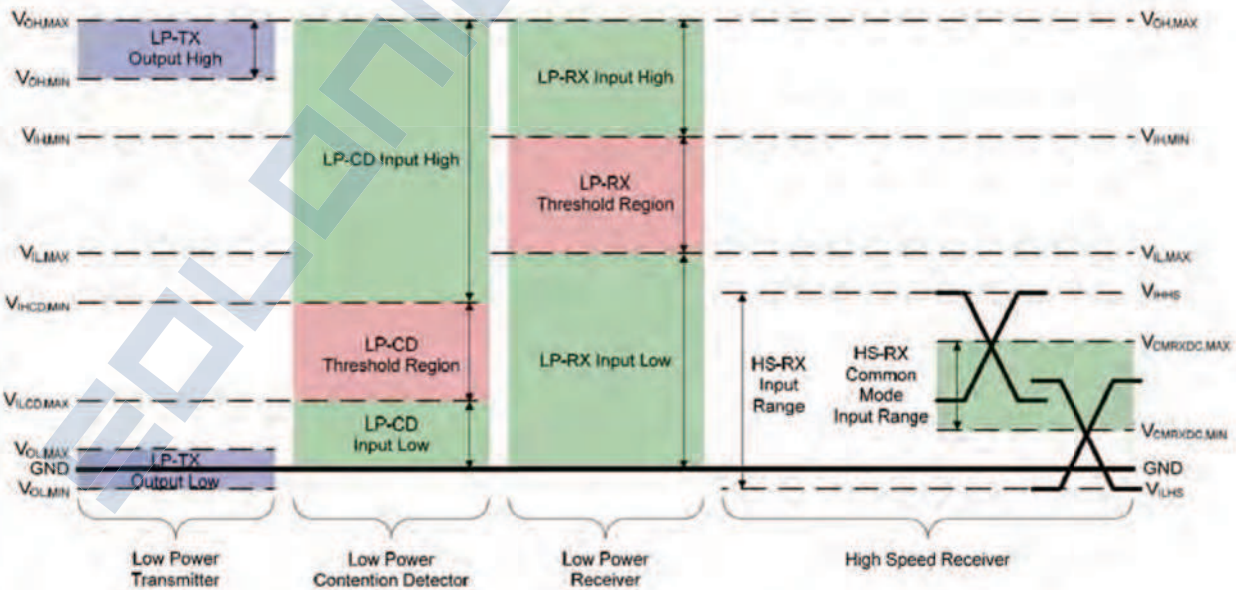
6.2.2 LP Receiver DC Specification

Parameter	Symbol	Rating			Unit	Note
		Min	Typ	Max		
Logic 1 input voltage	V_{IH}	880	-	-	mV	
Logic 0 input voltage, not in ULP State	V_{IL}	-	-	550	mV	
Input hysteresis	V_{HYST}	25	-	-	mV	



6.2.3 Line Contention Detection

Parameter	Symbol	Rating			Unit	Note
		Min	Typ	Max		
Logic 1 contention threshold	V_{IHCD}	450	-	-	mV	
Logic 0 contention threshold	V_{ILCD}	-	-	200	mV	



THIS DOCUMENT IS THE SOLE PROPERTY OF **SOLONIC TECHNOLOGY CO., LTD.** AND SHOULD NOT BE USED IN WHOLE OR IN PART WITHOUT PRIOR WRITTEN PERMISSION

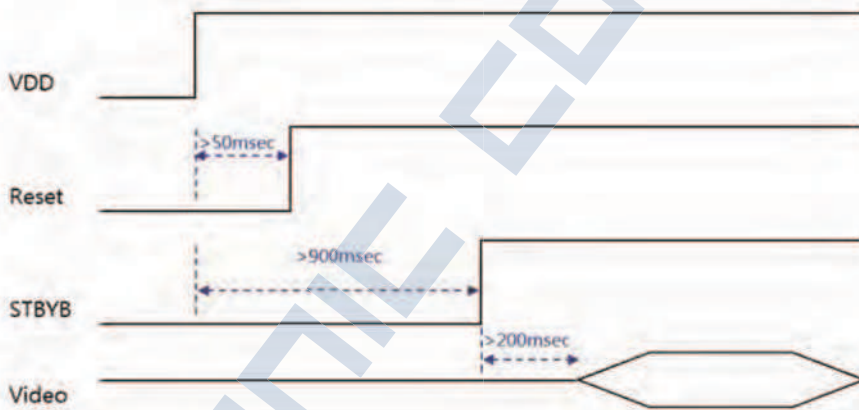
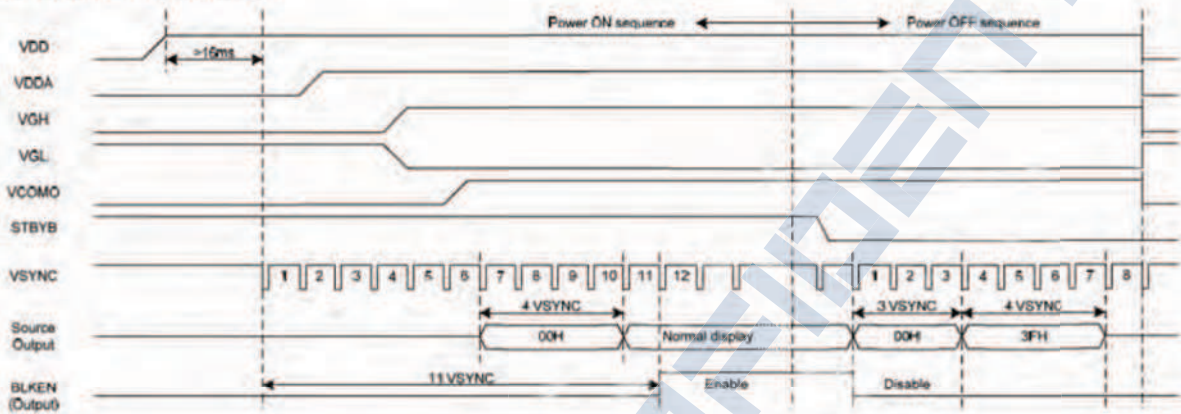
本文件屬於碩享科技有限公司獨有財產，未經書面許可不得使用或部分使用

6.3 Interface Timing

Item	Symbol	Min.	Typ.	Max.	Unit
MIPI Video data rate(4 lane)	-	-	397.7	-	Mbps
PCLK Frequency	FPCLK	-	66.3	-	MHz
Horizontal Synchronization	Hsync	-	30	-	PCLK
Horizontal Back Porch	HBP	-	30	-	PCLK
Horizontal Front Porch	HFP	-	30	-	PCLK
Hsync+HBP+HFP	-	75	90	-	PCLK
Horizontal Address(Display Area)	Hadr	-	480	-	PCLK
Horizontal cycle	-	555	570	-	PCLK
Vertical Synchronization	Vsync	-	6	-	Line
Vertical Back Porch	VBP	-	6	-	Line
Vertical Front Porch	VFP	-	6	-	Line
Vsync+VBP+VFP	-	15	18	-	Line
Vertical Address(Display Area)	Vadr	-	1920	-	Line
Vertical cycle	-	1935	1938	-	Line
Frame Rate	-	-	60	-	Hz

6.4 Power On / Off Sequence

Power-On/Off Timing Sequence:



6.5 Backlight Unit

Parameter	Symbol	Min	Typ	Max	Units	Condition
LED Current	I_F	--	160	--	mA	Ta=25°C
LED Voltage	V_F	--	--	17.5	Volt	Ta=25°C
LED Life-Time	N/A	--	30,000	--	Hour	Ta=25°C I _F =160mA Note (2)

Note (1) LED life time (Hr) can be defined as the time in which it continues to operate under the condition: Ta=25±3 °C, typical IL value indicated in the above table until the brightness becomes less than 50%.

Note (2) The “LED life time” is defined as the module brightness decrease to 50% original brightness at Ta=25°C and IL=160mA. The LED lifetime could be decreased if operating IL is larger than 160mA. The constant current driving method is suggested.

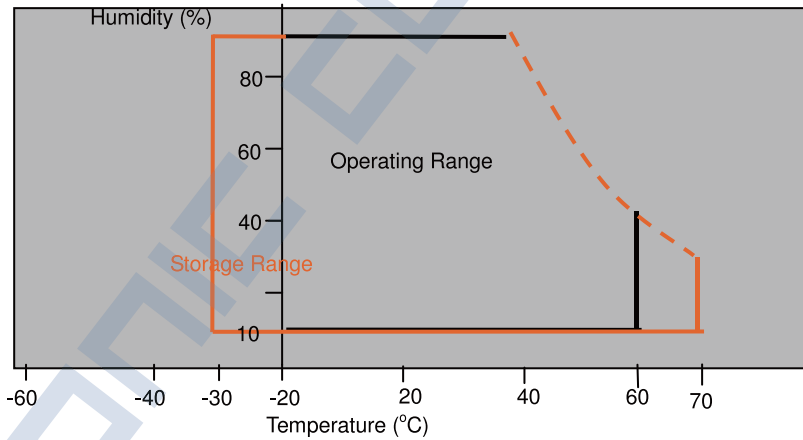
Note (3) LED Light Bar Circuit

7.0 Reliability test items

No.	Item	Conditions	Remark
1	High Temperature Storage	Ta=+80°C, 240hrs	
2	Low Temperature Storage	Ta=-30°C, 240hrs	
3	High Temperature Operation	Ta=+70°C, 240hrs	
4	Low Temperature Operation	Ta=-20°C, 240hrs	
5	Thermal Cycling Test (non operation)	-20°C(30min)→+70°C(30min), 100 cycles	
6	Vibration	Sine Wave 1.5G, 5~500Hz, XYZ 30min/each direction	
7	Shock	Half-Sine, 200G, 2ms, ±XYZ, 1time	

Note: There is no display function NG issue occurred, all the cosmetic specification is judged before the reliability stress.

Storage / Operating temperature

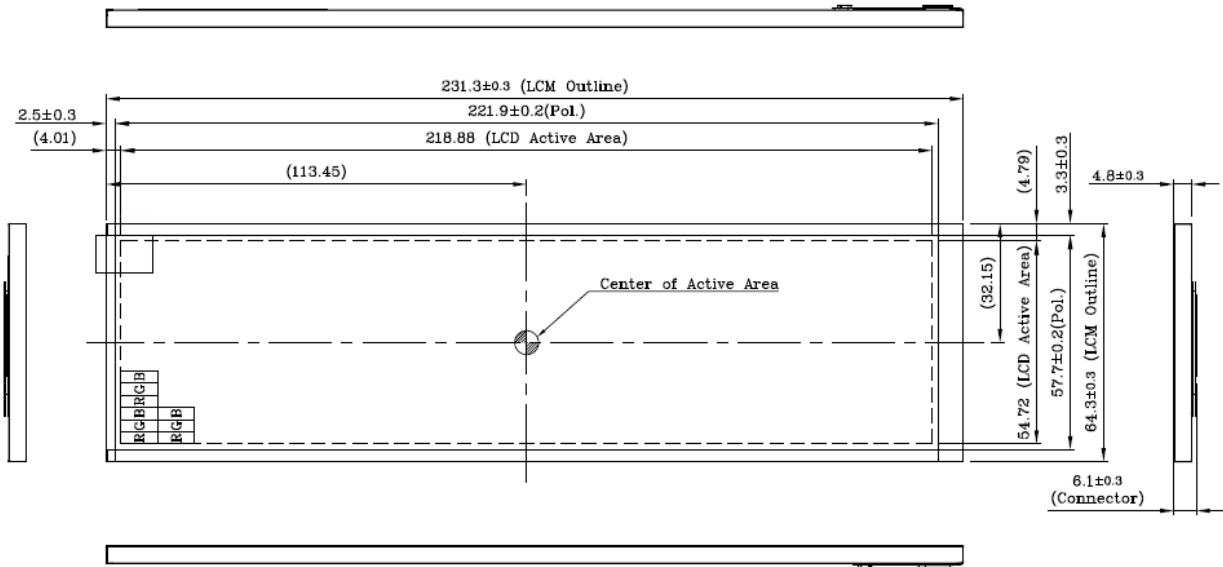


Note .Max wet bulb temp.=39°C

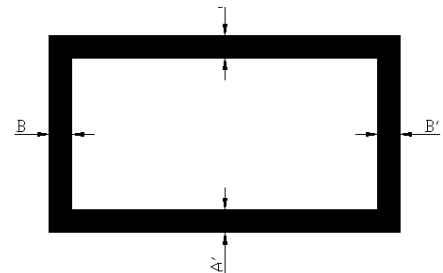
8.0 OUTLINE DIMENSION

8.1 Front View Outline Dimension

Unit : mm



Note:
General Tolerance $\pm 0.3\text{mm}$



BM Assembly Tolerance

$|A - A'| \leq 1 \text{ (mm)}$

$|B - B'| \leq 1 \text{ (mm)}$

THIS DOCUMENT IS THE SOLE PROPERTY OF **SOLONIC TECHNOLOGY CO., LTD.**
AND SHOULD NOT BE USED IN WHOLE OR IN PART WITHOUT PRIOR WRITTEN PERMISSION

本文件屬於碩享科技有限公司獨有財產，未經書面許可不得使用或部分使用

9.0 PACKAGE SPECIFICATION

9.1 Packing form

LCM Model	LCM Qty. in the Box	Inner Box Size(mm)	Notice
SL088IPW1-A00	60 pcs/box	477x310x203	

9.2 Packing assembly drawings

