



SOLONIC

User's Manual of Wearable care machine FMY-CF02



Thank you for purchasing the Wearable care machine. Please read this manual carefully before using it. After reading, please collect it properly for future reference. Pictures are for reference only. If the color and accessories of products are changed, please refer to the actual purchased goods.

Thank you for using the products

The Wearable care machine is a smart care product developed for disabled people who have been in bed for a long time. It is mainly used to solve the problem of stool, urine in disabled people automatically.

The Wearable care machine uses advanced microcomputer control technology and intelligent detection technology to sense the stool and urine automatically, collect the excrement automatically, and clean and dry the defecation position automatically. Long-term use can avoid bedsores, reduce the work pressure of nursing staff and the cost of care, and make the disabled people who live in bed for a long time live more dignified.

CATALOG

I . PROFILE.....	2
1.1 Description.....	2
1.2 Specification Parameters.....	2
1.3 Intended Use.....	2
1.4 Indication for Use.....	2
1.5 Applicable Population.....	3
1.6 Environmental Requirements.....	3
1.7 Expected Service Life.....	3
1.8 Safety Warning.....	3
II. PRODUCTS INTRODUCTION.....	5
2.1 Products List.....	5
2.2 Parts Name.....	6
III. INSTALLATION METHODS.....	11
3.1 Installation of Pollutant Bucket.....	11
3.2 Installation of Purified Water Bucket.....	12
3.3 Installation of Deodorant Assembly.....	13
3.4 Connection of Hose Assembly and Main Engine.....	14
3.5 Connection of Hose Assembly and Working Head.....	14
3.6 Correct connection method between cleaning head and working head.....	14
IV. USAGE METHODS.....	15
4.1 Applicable Population.....	15
4.2 Start-up Preparation.....	15
4.3 Wearing of the working head and product handling.....	15
4.4 Working Head and Human Body Disassemble.....	25
4.5 Machine Fixing and Moving.....	25
4.6 Time Arrangement for Use.....	26
4.7 Working Head Disinfection.....	26
4.8 Binding pants Cleaning.....	28
4.9 Pollutant Bucket Cleaning.....	29
V. TROUBLESHOOTING.....	31
VI. ROUTINE MAINTENANCE AND CONSUMABLES.....	32
VII. PRODUCTS RECOVERY.....	33
VIII. WARRANTY SERVICE.....	34

I . PROFILE

1.1 Description

The device is a smart care product developed for disabled people who have been in bed for a long time. It is mainly used to solve the problem of stool, urine in disabled people automatically.

The device uses intelligent detection technology to sense the stool and urine automatically, collect the excrement automatically, and clean and dry the defecation position automatically. Long-term use can reduce the work pressure of nursing staff and the cost of care.

1.2 Specification Parameters

Product Name	Wearable care machine	Product Model	FMY-CF02
Nominal Voltage	120VAC/60Hz	Maximum Power	1250W
IP Rating	IPX4	Lw	< 55dBA

※SOLONIC will provide circuit diagrams, component part lists, descriptions, calibration instructions to assist to SERVICE PERSONNEL in parts repair.

1.3 Intended use

Automatically sense and clean the patient's urine and stool. Automatically clean and dry the cup and the patient's ass.

1.4 Indication for use



Type B applied part



Protective conductor terminal



Caution



Manufacturer



Date of manufacturer



Serial number



Refer to user instructions



Caution: Sitting prohibited. Weight limit

1.5 Applicable Population

- Being in bed and cannot relieve themselves.
- No catheter, no urine volume monitoring.
- Skin without bed sore, severe dermatitis or damage.
- Weight is greater than or equal to 77.16 lb.
- There is no serious deformation in the legs.
- No severe constipation (e.g. the need for hand-picking or suppositories glycerol) and fecal diameter less than 1.25 inch.
- No severe hemorrhoids.
- Normal mentality and no arrogant behavior (such as tearing the quilt, grasping the stool, pulling the urine is not wet).

1.6 Environmental Requirements

- Operating Conditions:
Temperature: +5°C~+40°C (+41°F~+104°F)
Humidity: ≤70% Relative, non-condensing
Atmospheric Pressure: 800hPa~1060hPa
- Transportation and Storage:
Temperature: -20°C ~+55°C (-4°F~+131°F)
Humidity: ≤90% Relative, non-condensing
Atmospheric Pressure: 800hPa~1060hPa

1.7 Expected service life

Under the condition of replacement of some aging parts on time, the expected service life of the product is 5 years.

1.8 Safety Warning

DANGER

- Electrical circuits inside the equipment may use voltages which are capable of causing serious injury or death from electric shock. To avoid this hazard, never remove any of the covers.
- The product is not waterproof. If water, soap or other liquids drip into the equipment, this can cause a short circuit leading to electric shock and fire hazards. If liquids are accidentally spilled into the system, do not power or turn on the system until the liquids dry or evaporate completely.
- To avoid risk of electric shock, this equipment must only be connected to an appropriate grounded electrical outlet.
- Do not add more than 40 degrees of hot water to the water bucket.
- Cut off the power before cleaning the machine, Do not use organic solvents or corrosive detergents.
- Please read this manual carefully before use, and operate the machine in strict accordance with the operation methods and precautions in this manual. If there is any

redness or foaming of the skin caused by the user's constitution or improper dressing, please stop using the machine immediately, and you can only use it again after the skin returns to normal.

- Do not put cigarette butts or other inflammables on the surface or inside of the main engine, in case of product damage or fire.
- Water must be added to the clean bucket. When the residual water in the clean bucket or heating tank has not been used for more than 3 days, clean up the residual water before adding fresh water.
- Do not pour water or other liquids into the main engine to prevent damage or electric shock
- Non-professionals are advised not to disassemble the care robot by themselves to avoid personnel and equipment damage.

WARNING

- Do not hit or knock the product to prevent damage to the machine.
- Do not pull the connection cable of the remote control to prevent it from breaking.
- Be sure to use the care robot at a temperature of 5-40°C and at a humidity of $\leq 70\%$.
- When removing the working head, be sure to raise it above the main engine first to prevent the waste remaining in the hose assembly from flowing out.
- When the machine is working, the working head must be placed higher than the main engine to prevent water from flowing back.
- Do not press the hose assembly with a heavy weight. Do not overbend the hose assembly.
- Do use the right voltage to prevent damage to the machine.
- Patient is not an intended operator.

※ Never make any modifications or adjustments to the equipment unless directed by a Suzhou Wearable care machine authorized service engineer.

 **WARNING:** Children should be supervised to ensure that they do not play with the appliance.

CAUTION

Operation of the device may be adversely affected by

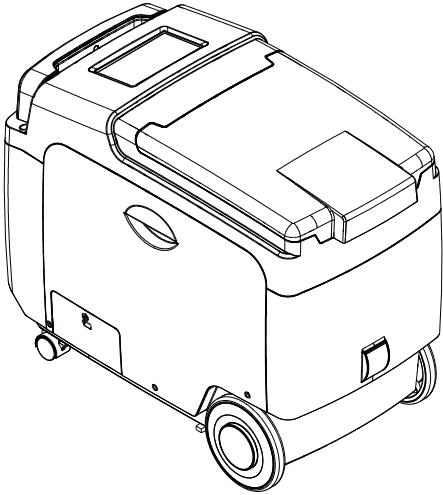
- Electromagnetic fields exceeding the level of 1V/m in the test conditions of EN 60601-1-2
- The operation of high frequency (diathermy) equipment
- Defibrillators, or short wave therapy equipment
- Radiation (e.g., x-ray, CT)
- Magnetic fields (e.g., MRI)
- Avoid using this device in an MRI environment or proximity to a high EMI emission source.

※ An APPLIANCE COUPLER or a flexible cord with a MAINS PLUG is considered as disconnect means.

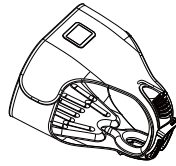
II . PRODUCTS INTRODUCTION

2.1 Products List

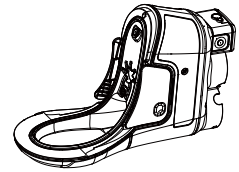
Please check if the following items are included in the package before starting. If there is any missing, please contact your dealer.



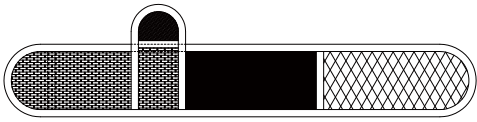
Main engine x1



Binding pants x2



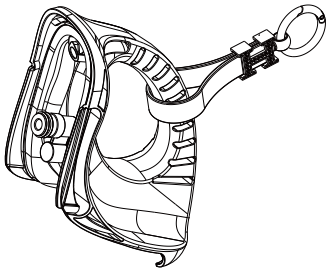
Working head x1



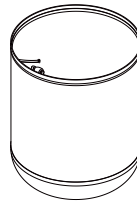
Leg Strap(Left)



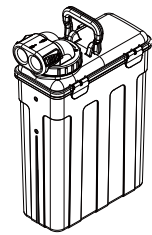
Leg Strap(Right)



cleaning cover x1



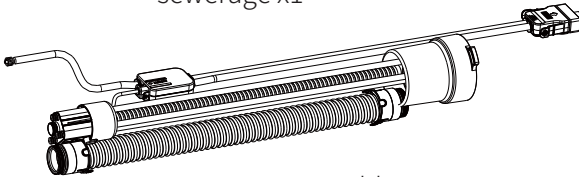
Machine washable
mesh pocket x1



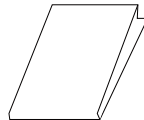
Pollutant bucket x1



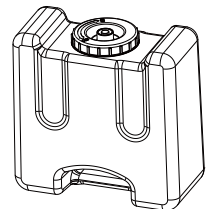
sewerage x1



Hose assembly x1



One instructions x1



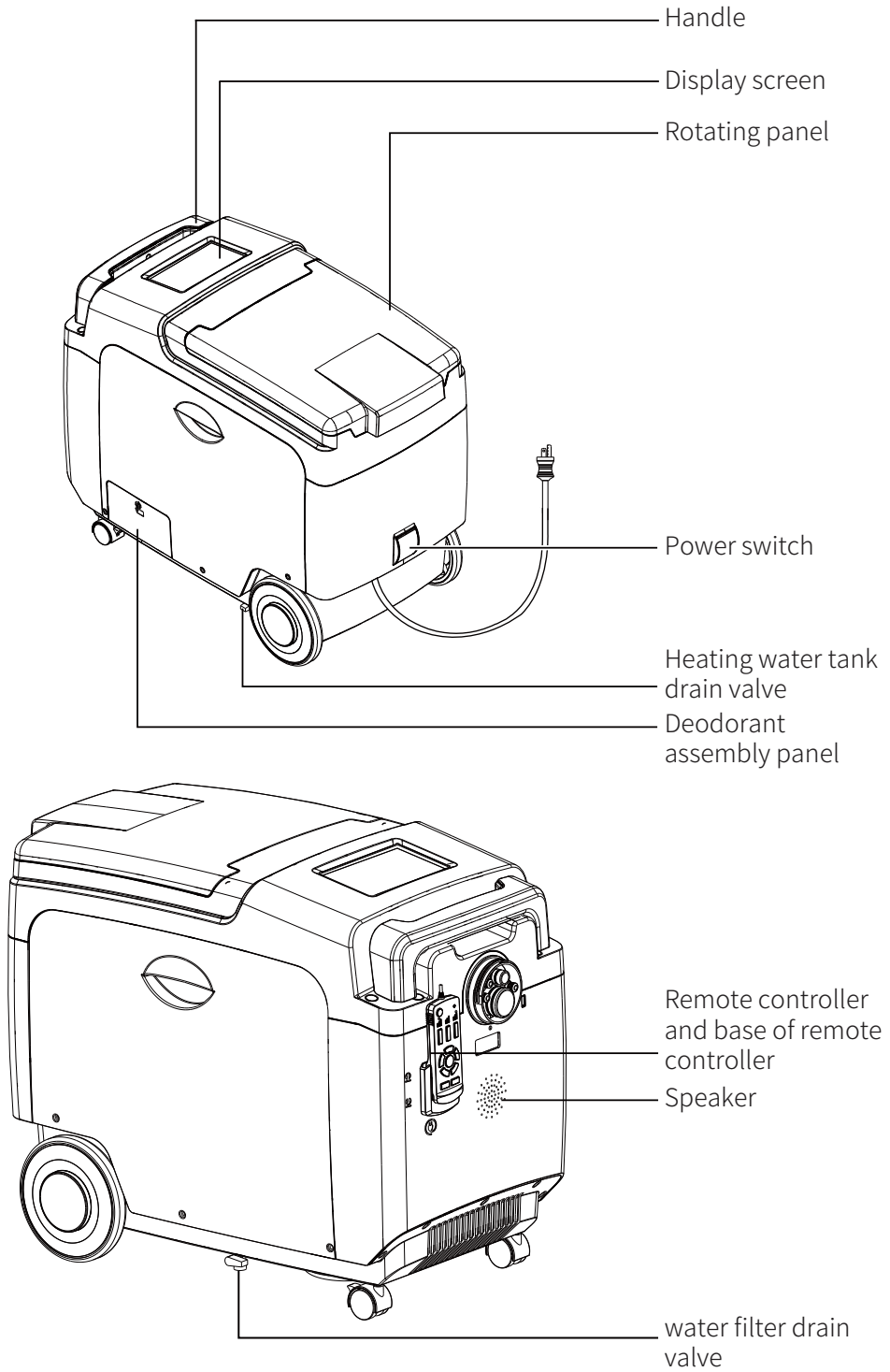
Purified water
bucket x1



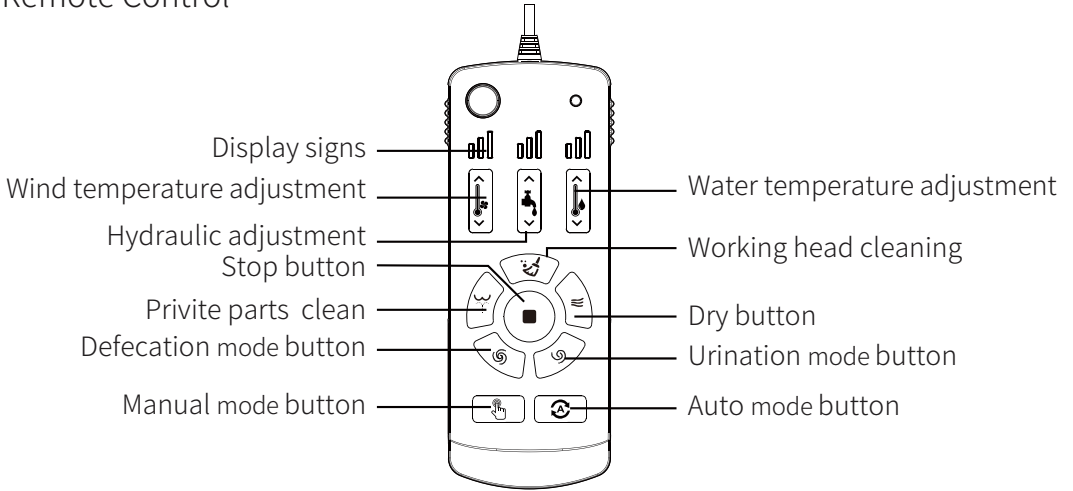
Hose cover x1

2.2 Parts Name

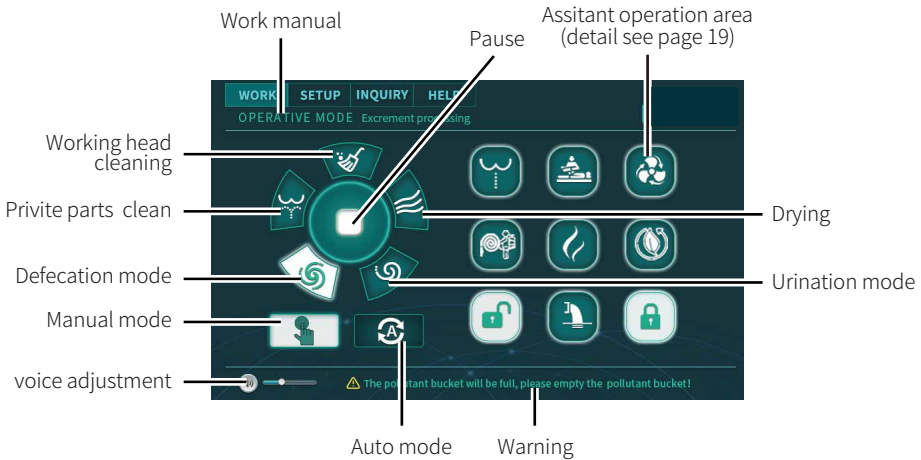
2.2.1 Main Engine



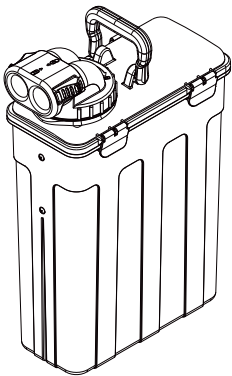
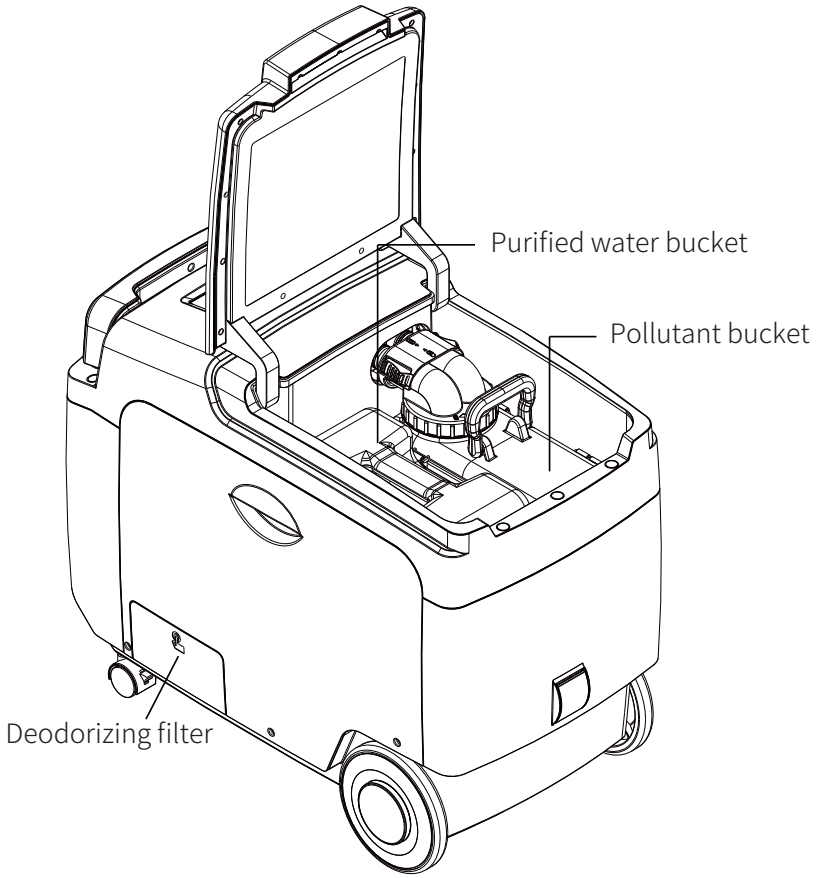
Remote Control



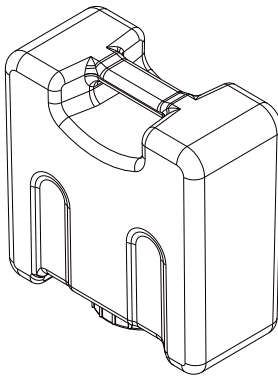
Control Panel



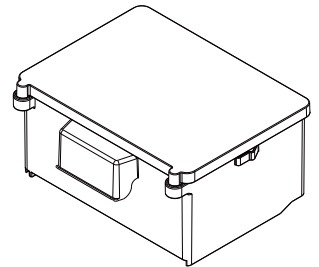
Main Engine



Pollutant bucket

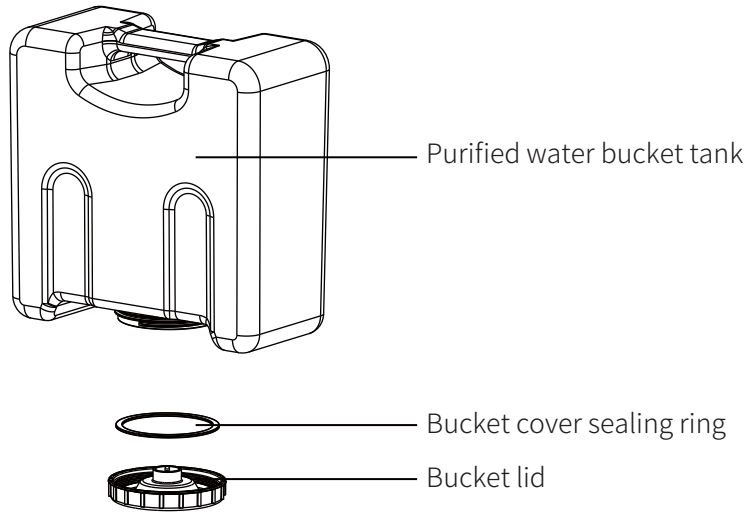


Purified water bucket

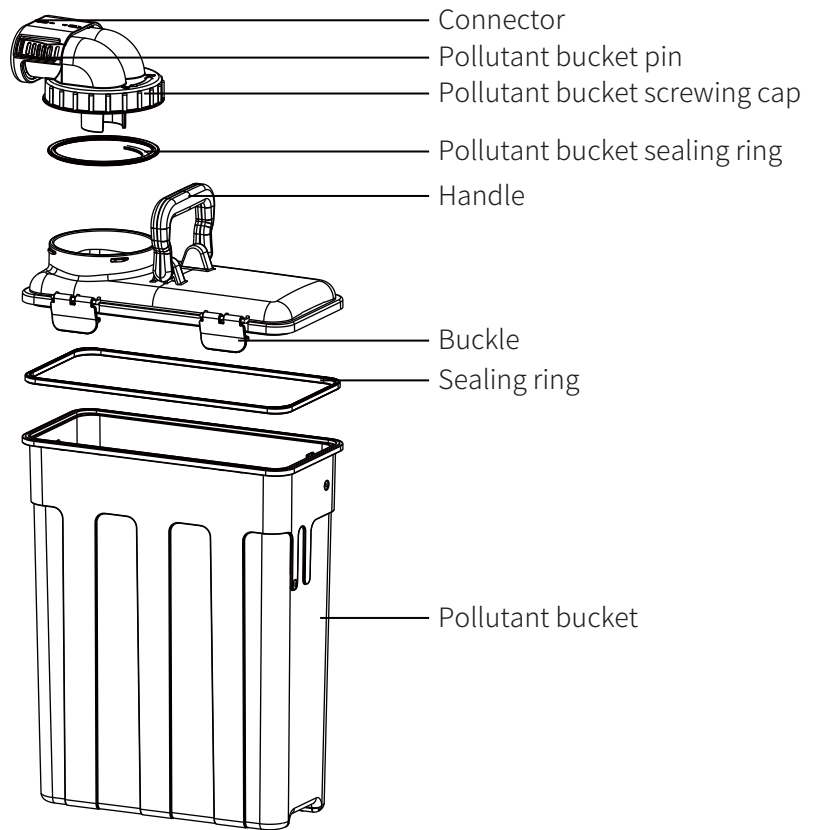


Deodorizing filter

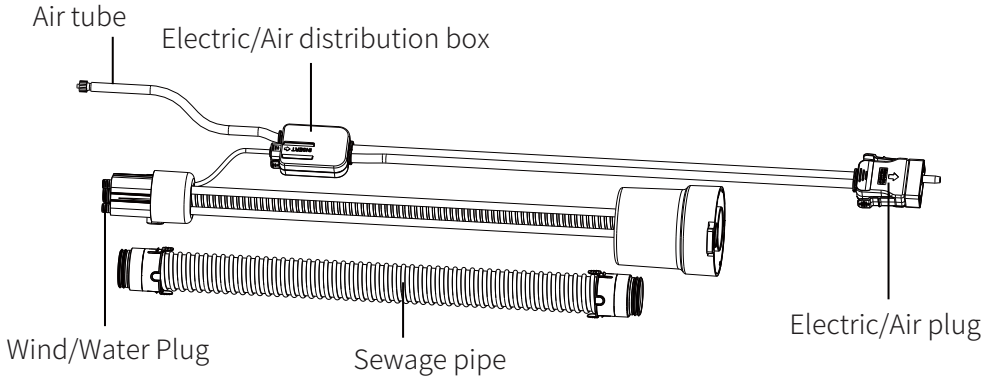
Purified Water Bucket



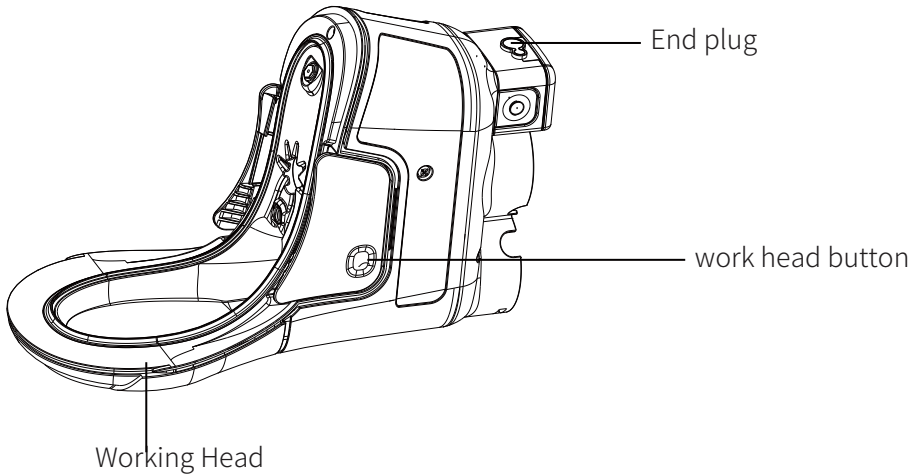
Pollutant Bucket



2.2.2 Hose Assemblies



2.2.3 Working Head



2.2.4 Binding pants Size spec (waistline)

	S/M	L
Women (IN.)	26.0-33.9	31.5-41.7
Man (IN.)	26.0-33.9	31.5-41.7

⚠ WARNING

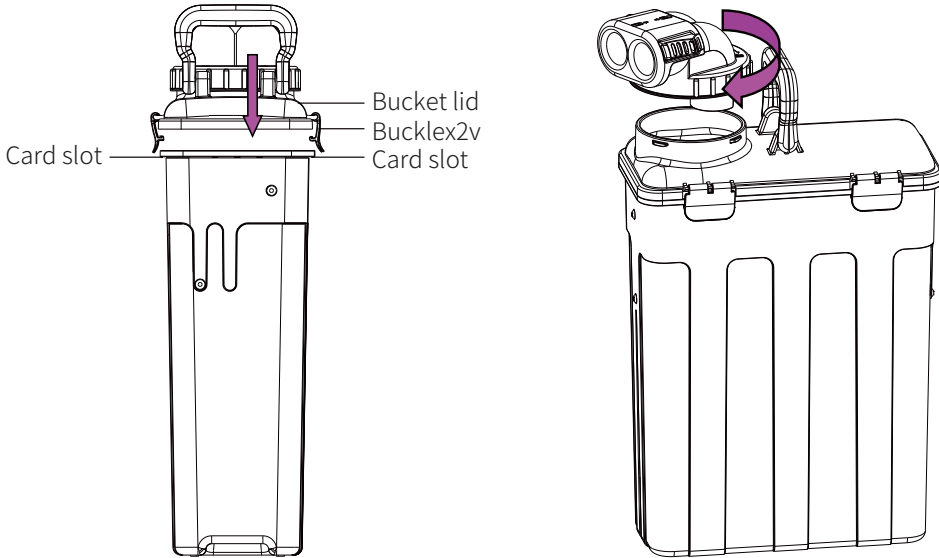
Please select and use the correct size according to above specifications. The manufacturer will not be responsible for the serious consequences caused by improper selection.

III. INSTALLATION METHODS

3.1 Installation of Pollutant Bucket

3.1.1 Fasten the 4 buckles on the bucket body.

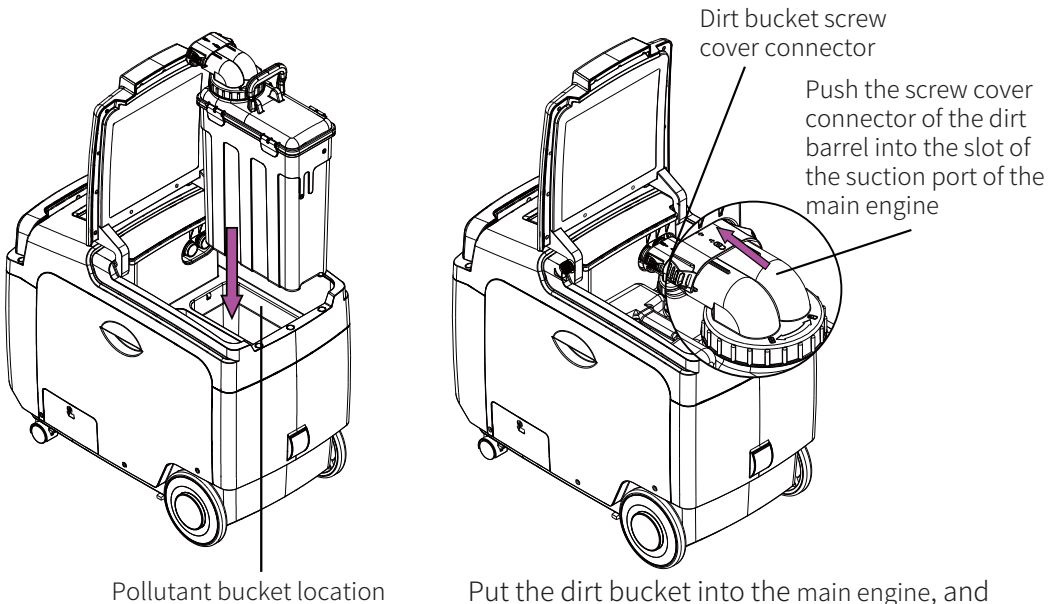
3.1.2 Rotate the lid of pollutant bucket clockwise to the marked position.



! WARNING

Lock four buckles for upper cover and bucket body.

3.1.3 Place the pollutant bucket to the specified location of the main engine.

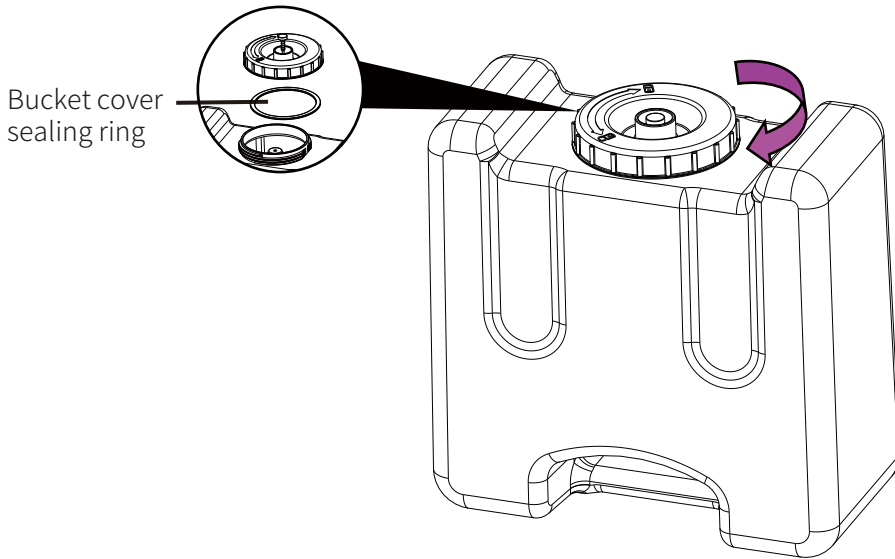


Put the dirt bucket into the main engine, and push the screw cover connector of the dirt bucket into the suction clamp slot of the main engine.

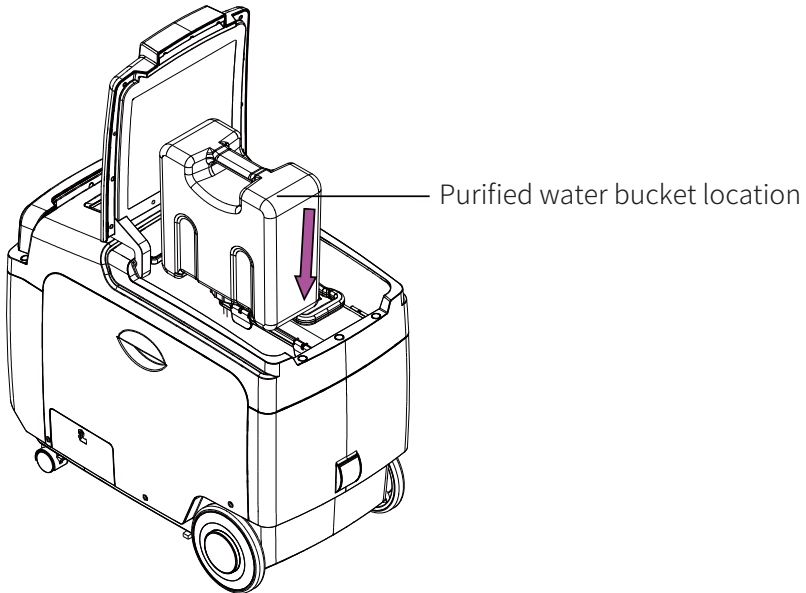
3.2 Installation of Purified Water Bucket

Note: When using for the first time, the water purification bucket will be partially filled with water downwards, at this time, the water purification tank is not a full tank state, it is recommended to add 2.5 liters of water to the sink underneath the water purification bucket, and then put the filled water purification bucket on it.

Rotate the bucket lid clockwise tightly

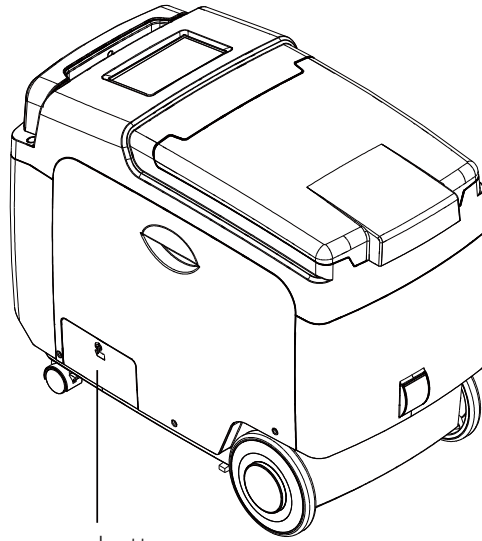


Put the bucket into the main engine with the lid faced down.



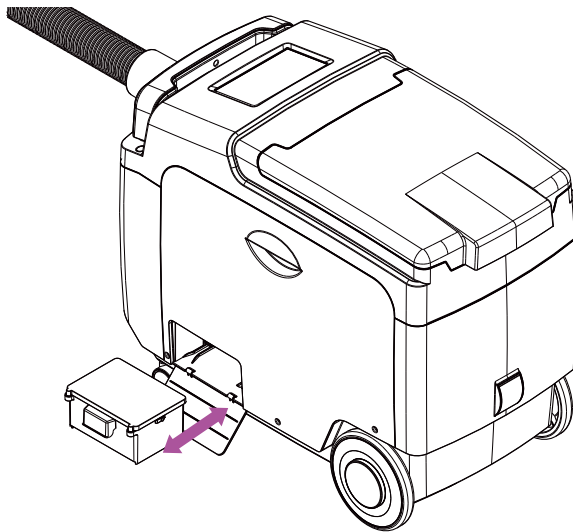
3.3 Installation of Deodorant Assembly

Press the open button on the deodorant assembly and it will bounce off automatically.



The open button

Take the handle of the deodorant assembly and push it gently into the installation entrance until you heard the slight clicking sound.



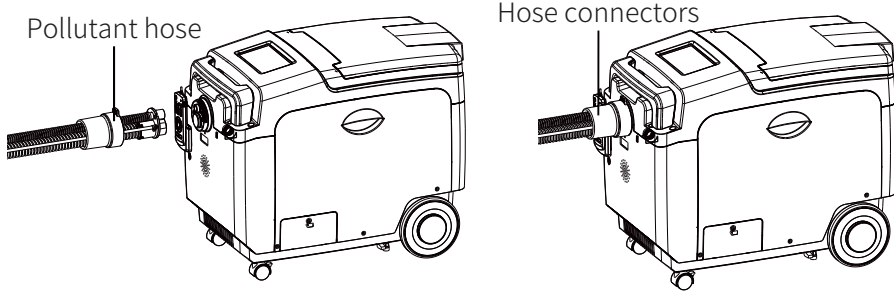
※ The area near the deodorant assembly is also the location of the air outlet of the suction motor. If you touch this area for more than 1 minute, it may cause burns.

Reverse operation can take out the deodorant component box

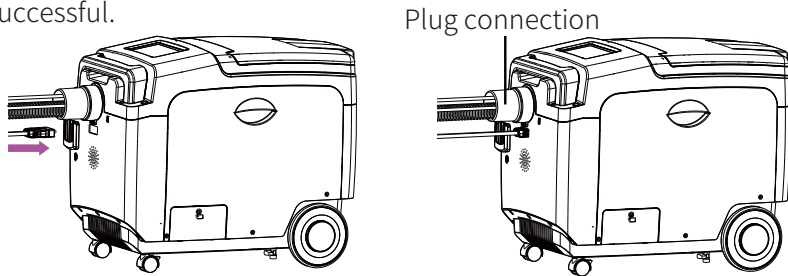
3.4 Connection of Hose Assembly and Main Engine

Step 1: Grasp the dirt tube connector of the hose, align the main unit connection and press firmly in.

Step 2: Screw the hose connector swivel clockwise into the main unit and lock it.



Step 3: Insert the electric/pneumatic plug into the corresponding position of the main engine, and hear a "click" sound, indicating that the docking is successful.

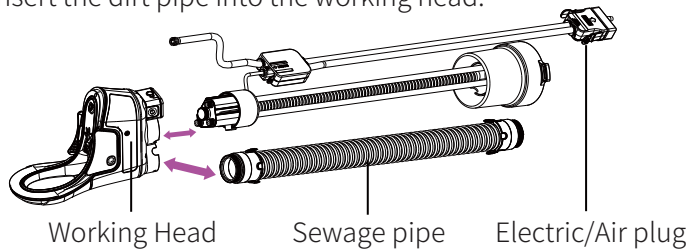


3.5 Connection of Hose Assembly and Working Head

Step 1: Verify that the water hose assembly is properly connected to the electrical plug on the air/water plug.

Step 2: Insert the above components into the working head and hear a "click" to indicate a successful connection.

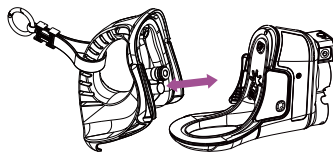
Step 3: Insert the dirt pipe into the working head.



3.6 Correct connection method between cleaning head and working head

Step 1: Confirm that the hose assembly is properly connected to the work head.

Step 2: Connect the cleaning head and the working head as shown in the figure. A "click" sound indicates the connection is successful.



IV. USAGE METHODS

4.1 Applicable Population

- In bed, unable to relieve oneself.
- No catheters, no urine volume monitoring.
- No skin sores, severe dermatitis or damage.
- Weigh 77 lbs or more.
- No serious deformation of thigh.
- The diameter of the stool must be less than 1.3 inch.
- No severe hemorrhoids.
- No manic behavior.

4.2 Start-up Preparation

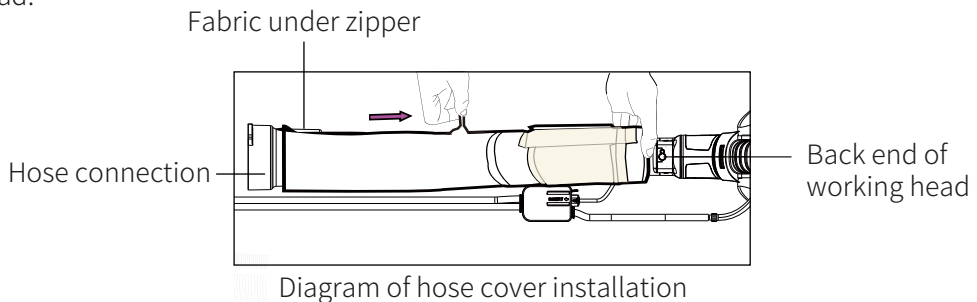
- Make sure the working head is well connected to the connecting hose.
- Make sure main engine is well connected with connection hose.
- Make sure the purified water bucket is filled and loaded into the main engine.
- Make sure the pollutant bucket has been emptied and loaded into the main engine.
- Make sure the deodorant assembly has been loaded into the main engine.
- Make sure the parcel pants have been well dressed.
- Put on the power, press the switch, enter the program and work.

4.3 Wearing of the working head and product handling

4.3.1 Preparation Before Wearing.

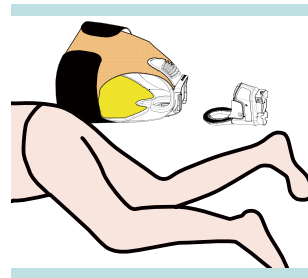
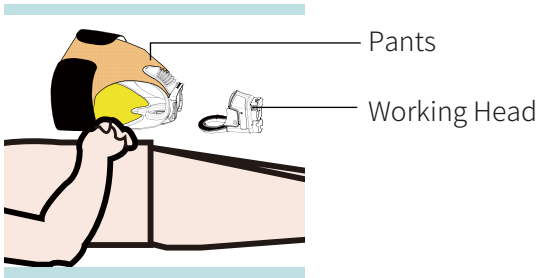
Hose Sheath Installation

The end under the Hose cover zipper zipper is aligned with the back end of the working head.

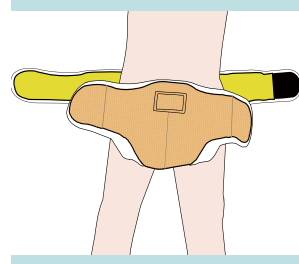
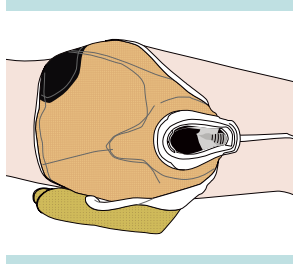
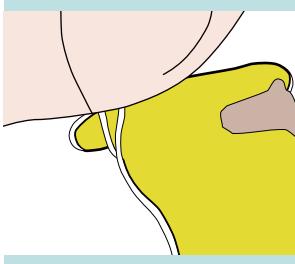


4.3.2 Turn the user sideways 90 degrees in their direction.

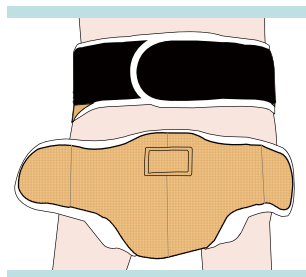
Place the user's hands across the abdomen before turning, open his fingers widely. The palm of the hand rests on the user's hips and shoulders, then turn the user sideways 90 degrees in their direction. Gently hold the user's arm to avoid the damage to the user among the whole process.



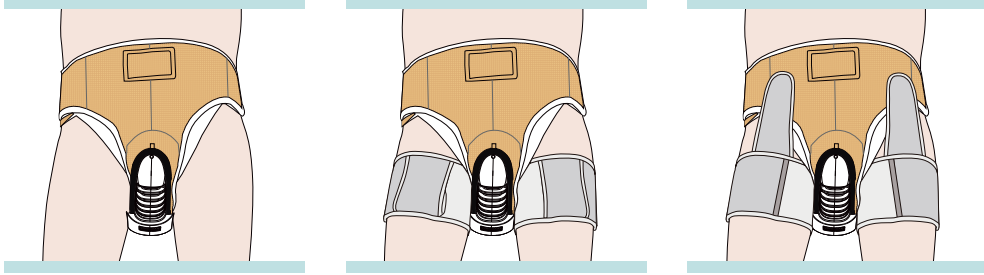
4.3.3 Place the working head and pants behind the user's hips, then put on the pants and straighten the user's body.



Adjust the position of the working head so that it is centered below the buttocks. The skin of the inner side of the thigh must be close to the soft adhesive of the working head. Hang the belt over the cup of the working head, adjust the length of the pull belt according to the size of the user.

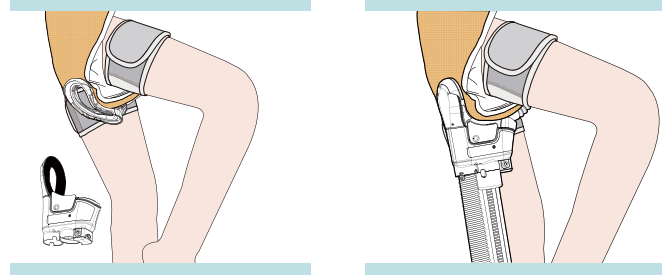


4.3.4 After putting on the bag pants, center the left and right leg strap area on the inner thigh root, and then tighten the pull straps to attach them to the corresponding positions of the bag pants to prevent sliding.

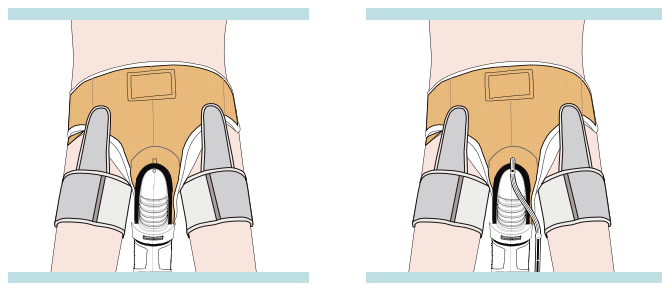


Note: 1. In order to distinguish between left and right, the left leg strap will be sewn with the "L" logo (for LEFT). Without the logo, the right leg strap is the default.
2. After wearing the pants, the left and right leg straps should not be left out; reducing this protection will lead to the risk of skin damage on the inner thighs after a long time of use.

4.3.5 Attach the upper pant with the waistband, and then insert the edge of the working head into the slot of the pants bracket properly. At this time, two clicks are heard during this operation, it means the working head and the pants bracket is connected well.



Then, connect the pipe on pant and the pipe on working head well. Fix the hose at the end of the bed, and the hose should have an obvious slope from the bed to the working head to the main engine, so that the water in the hose can flow into the sewage bucket in the main engine very smoothly.

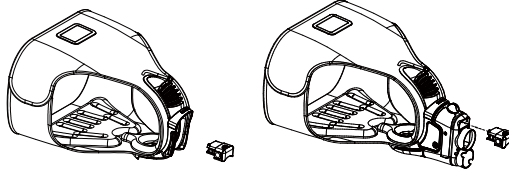


Notice: At this time, it is necessary to hold the waist of the user with one hand and the other hand to shake the working head slightly twice to avoid excessive local pressure on the user. At the same time, the working head must be centered under the buttocks, and there should be no gaps with the inner thighs.

Women's bag pants:

insert the female-style quick-connect plug into the working head.

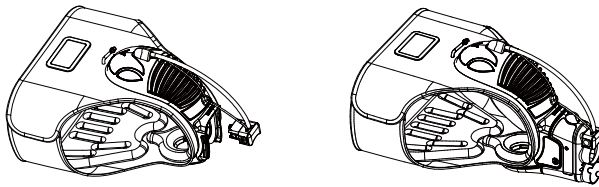
Note: the female-style quick-connect plug must be inserted into the corresponding Plug. When using, you need to apply a little water on the surface of the joint Sealing ring to facilitate easy insertion into the working head.



Men's bag pants:

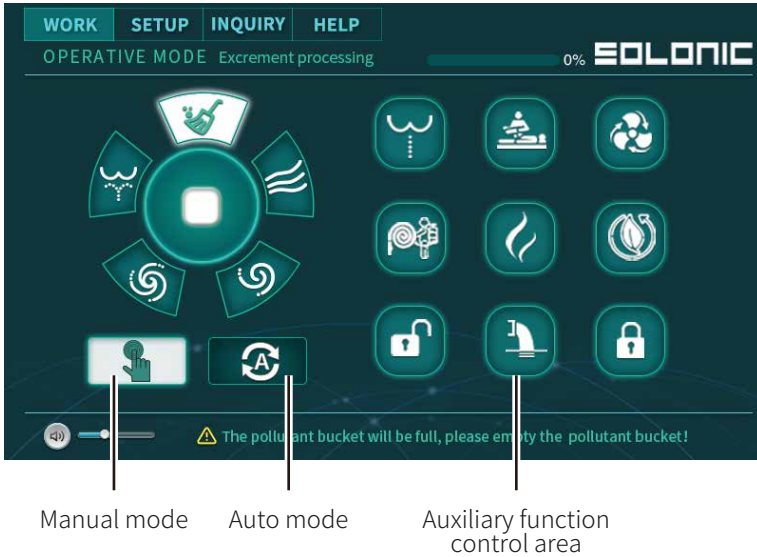
insert the men's underwear electrical connector into the working head.

Note: the men's underwear electrical connector must be plugged into the Corresponding men's underwear electrical connector. When using, you need to Apply a little water on the surface of the connector sealing ring to facilitate easy Insertion into the working head).



After that, insert the dirt pipe joint and hose joint (note: when using, you need to apply a little water on the surface of the hose joint sealing ring to facilitate easy insertion into the work head). Then screw the air hose plug on the hose assembly and the air hose plug on the pants into place. Fix the hose at the end of the bed. The hose should not have an obvious slope on the bed from the working head to the main machine, so that the water in the hose can flow into the sewage bucket in the main machine.



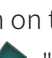
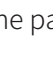

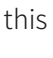

4.3.6 Display screen

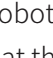



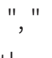




4.3.6.1 Auto Mode



4.3.6.1.1 Automatic mode setting

ICARE ROBOT starts up in the default manual mode, and automatically switches to the automatic working mode after 5 minutes. At the same time, it provides two ways to enter the automatic mode from the manual mode:

After power on, click the LCD screen to enter the working page, and then click the "  " icon on the page. At this time, observe that the "  ", "  ", "  ", "  " and "  " icon turns to gray, indicating that the automatic mode has been set successfully, and the "  " button on the remote control is also lit.

After the wearable urinal care robot is powered on, touch the "  " button on the remote control, and observe that the "  ", "  ", "  ", "  " and "  " icons on the LCD screen turn to gray to indicate that the automatic mode has been set successfully, and the "  " button on the remote control is also lit.



4.3.6.1.2 How automatic mode works

When the wearable defecation care robot works in the automatic mode, the wearable defecation care robot will automatically start the preset program after the user urinates, and automatically complete the collection of excrement, cleaning and drying of defecation parts. During the working process, if you need to stop processing, please tap the "  " button of the remote control or click the "  " button under the working page of the display screen.

4.3.6.2 Manual Mode



4.3.6.2.1 Manual mode setting

There are two methods to run into MANUAL MODE:

The machine is started and tap the LED screen and select the icon "  " and observing all the icons are activated and meanwhile the "  " button of remote control is lighted.

The machine is started, press the button "  " of the remote control and observing the button is lighted and meanwhile, All the icon of LED screen are activated.

4.3.6.2.2 How manual mode works

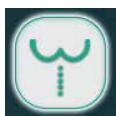
when the machine is running in "  ", the machine is processing all the orders from patient or nurse. the machine will stop when the "  " button is pressed on the remote control when it is processing any procedure.

4.3.6.3 Accessibility

In addition to the basic functions, the device also has auxiliary functions. The specific operations are as follows:

· Defecate assistance

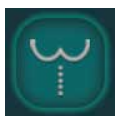
The stool aid function is used to relieve the user's constipation problem. When the auxiliary function is unlocked, click the "Assistance" operation button to start the "Assistance" operation; click the "Assistance" operation button again to exit the assistance operation.



Accessibility - Unlocked state - In progress



Accessibility - Unlocked state - On standby



Accessibility - Locked state - In progress



Accessibility - Locked state - On standby

· Massage

The massage function is used to massage the user's buttocks to promote the blood circulation of the user's buttocks. When the auxiliary function is unlocked, click the "Massage" operation button to start the massage operation; click the "Massage" operation button again to exit the massage operation.



Accessibility - Unlocked state - massage in progress



Accessibility - Unlocked state - waiting for massage



Accessibility - Locked state - massage in progress



Accessibility - Locked state - waiting for massage

· Ventilation

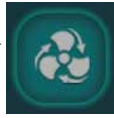
The ventilation function is used to supply air to the work head and hose, improving the air quality inside the work head. When the auxiliary function is unlocked, click the "ventilation" operation button to start the ventilation operation; click the "ventilation" operation button again to exit the ventilation operation.



Accessibility -
Unlocked state-
ventilation in
progress



Accessibility -
Unlocked state-
Ventilation in
standby



Accessibility -
Locked state-
ventilation in
progress



Accessibility -
Locked state-
Ventilation in
standby

· Hose Cleaning

The cleaning hose function is used to clean the excrement residue on the wall of the dirt pipe after use. When using, first separate the working head and the trousers bracket, and then place the working head flat on the ground. At this time, please refer to the hose cleaning instructions to put the specified cleaning solution into the working head according to the specified amount, and then put the working head and cleaning The components are connected reliably. Finally, click the "clean hose" operation button in the unlocked state of the auxiliary function to perform the cleaning hose operation. The entire cleaning hose operation process takes about 30 minutes. If you need to exit the cleaning hose operation in advance, please click the "Clean hose" operation button again.



Accessibility -
Unlocked state-
cleaning hose
processing



Accessibility -
Unlocked state-
cleaning hose
in standby



Accessibility -
Locked state-
cleaning hose
processing



Accessibility -
Locked state-
cleaning hose
in standby

· Machine Deodorizing

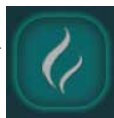
The odor removal function is used to remove odors from the head and hose after use. If necessary, please click the "Clear Odor" operation button when the auxiliary function is unlocked; click the "Clear Odor" operation button again to exit the operation.



Accessibility -
Unlocked state-
remove odor
processing



Accessibility -
Unlocked state-
remove odor
in standby



Accessibility -
Locked state-
remove odor
processing



Accessibility -
Locked state-
remove odor
in standby

· Air Purification

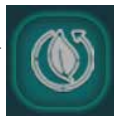
The Clean Air function is used to improve indoor air quality. If necessary, please click the "purify air" operation button when the auxiliary function is unlocked; click the "purify air" operation button again to exit the operation.



Accessibility -
Unlocked state-
Air purification
in progress



Accessibility -
Unlocked state-
purifying air in
standby



Accessibility -
Locked state-
Air purification
in progress



Accessibility -
Locked state-
purifying air in
standby

· Drain

After the end of use, some water will remain in the heating water tank and pipeline inside the equipment. At this time, if the equipment is moved or transported, this

part of the water may flow out, which may cause some functions of the equipment to fail or even bring safety hazards. The drain function is used to automatically drain the water remaining in the heating water tank and pipeline inside the device. Be sure to open the drain valve at the bottom of the heating water tank before use. When the auxiliary function is unlocked, click the "Drain" operation button to start the drainage operation. During the operation, the water in the internal pipeline of the equipment will be automatically drained to the heating water tank, and then discharged from the drain valve at the bottom of the heating water tank. When the drain valve no longer flows out, lift the far end of the drain valve at the bottom of the equipment and tilt it. The fuselage completely drains the water in the pipeline; click the "Drain" operation button again to exit the drain operation.



· Unlock/Lock

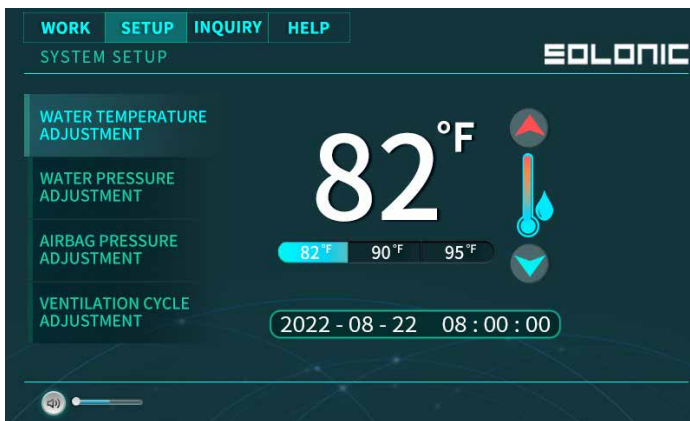
The auxiliary function control area of the device has a lock function. Click the "Unlock" button, and each auxiliary function will be activated. At this time, you can click the auxiliary function button to perform the corresponding operation. If there is no operation for a long time or the "Lock" button is clicked, the auxiliary functions of the device will enter the locked state. In the locked state, no matter what state the auxiliary functions are in, clicking these icons will not respond.



· Volume Adjustment



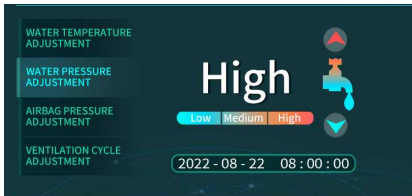
4.3.6.4 Settings Page



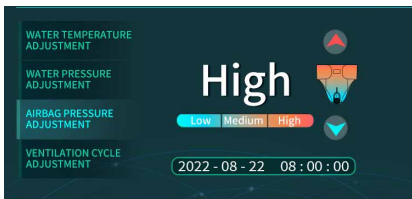
Adjustment Instructions



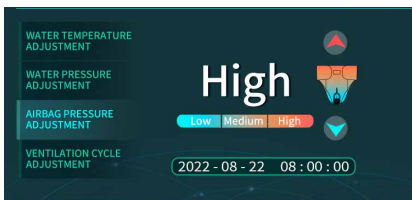
water temperature of body washing,
A total of high, medium and low three gears are adjustable



water pressure of body washing,
A total of high, medium and low three gears are adjustable



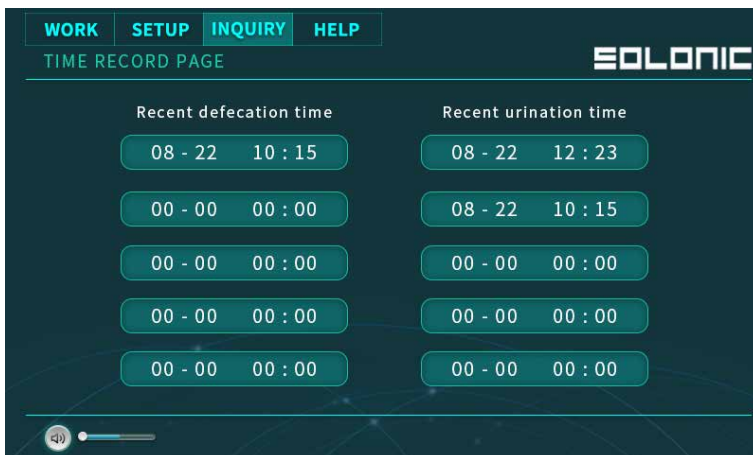
Air pressure of binding pants,
A total of high, medium and low three gears are adjustable



Air drying body temperature regulation
A total of half an hour, 1 hour, and 2 hours are adjustable

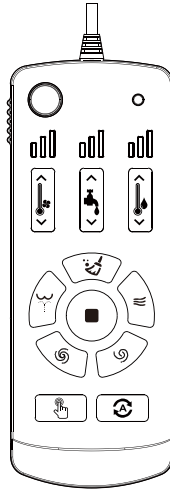
4.3.6.5 Query Page

Query the last five bowel movements and urination records



4.3.7

Remote Control



Stop button: Stop current processing action;



High, middle and low display signs: From low to high, show the wind temperature, water temperature, water presser etc.



Wind temperature adjustment buttons: High, medium and low three gears are adjustable;



Hydraulic adjustment buttons: High, medium and low three gears are adjustable;



Water temperature adjustment key: High, medium and low three gears are adjustable;



Defecation button: In manual mode, pressing this button will enter the defecation processing program;



Urination button: In manual mode, pressing this button will enter the urination processing program;



Private parts clean: In manual mode, press this button to clean it;



Working head cleaning button: In manual mode, press this button to flush the inner surface of the working head;



Dry button: In manual mode, press this button to dry the body;



Manual button: Press and hold this button to switch to manual mode;



Auto button: Press and hold this button to switch to auto mode.

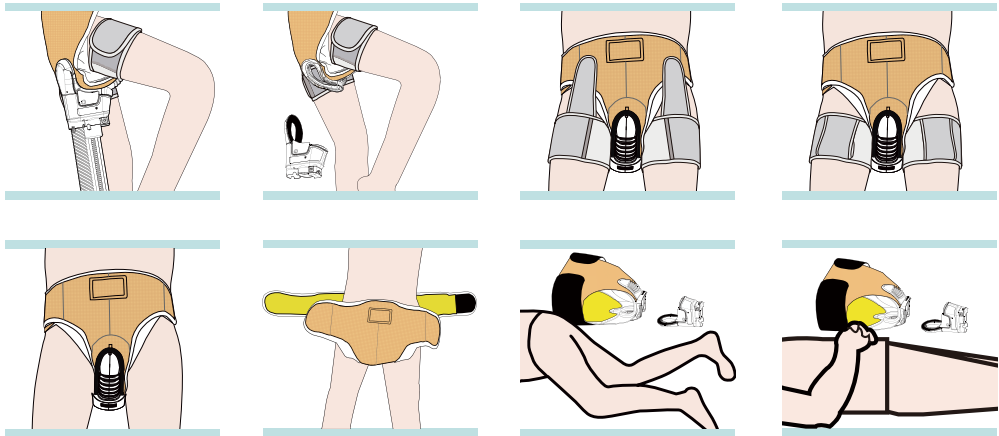
4.4 Working Head and Human Body Disassemble

Press the main engine switch button (O) and unplug the plug.
Open the Velcro at the waistband and remove the hook from the cup.



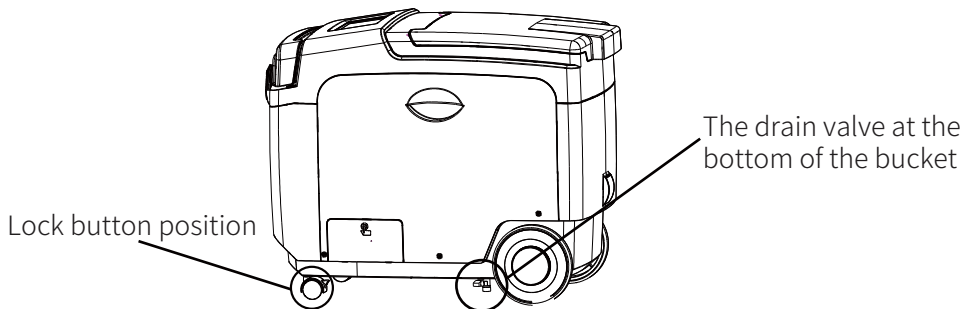
Main engine switch

Remove the working head by rotating the user sideways 90 degrees. Subsequently pull back the pull straps, undo the leg straps and finally open the velcro at the waistband of the bag and remove the bag pants.



4.5 Machine fixing and moving

Move the appliance to the use position, and at the same time turn the locking buttons of the two universal wheels to the locked position to fix the machine; Drain the remaining water in the machine (refer to item 7 of P20 for details).



4.6 Time Arrangement for Use

Use time according to the principle of gradual increase in the first week to make the user adapt to the machine.

First day: 4h(daytime)

Second day: 8h(daytime)

Third day: 10h(daytime)

Forth day: 12h(daytime)

Fifth day: 12h(night)

It is recommended not to use for more than 12 hours at a time.

Notice: After each use of the wearable toilet care robot, it is necessary to confirm whether the user's skin is red, If the damage is abnormal, in this case, it is necessary to check whether the burr sticker at the bottom of the working head is aligned with the Velcro strap of the trousers, and whether the working head is in the center of the trousers (see 4.3 "Wearing of the working head and product handling" After the above problems are solved, wait until the The user's skin is fully recovered before using this product.

4.7 Working Head Disinfection (general disinfection and deeper disinfection optional)

4.7.1 Working head general disinfection

4.7.1.1 general disinfection option 1: Spraying the Dibromohydantoin disinfectant (not include on the product) on the face of working head directly.

4.7.1.2 general disinfection option 2: First add some tap water to the spray pot, then according to the proportion of four dibromohydantoin effervescent tablets(not include on the product) per liter of water, put effervescent tablets into the spray pot, cover the spray nozzle of the spray pot and tighten it. Shake the spout gently, and use it after the effervescent tablet is fully dissolved.



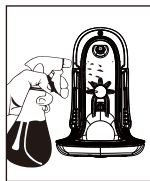
Dibromohydantoin effervescent tablets

4.7.1.3 Spraying method of disinfectant

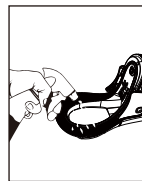
Evenly disinfect the bromine hydantoin disinfectant in the working head liner, the cup cover, the soft rubber surface and the two side walls. The spray should be naturally cooled or cleaned with clean cloth to be used next time.



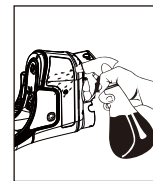
Cleaning solution



Clean the surface of inside



Clean the sealing strip



clean the surface of outside

WARNING

The working head cannot be exposed to the sun for a long time.

4.7.1.4 Disinfection cycle

Every 3 days during the period of nursing robot, the working head needs to be disinfected with DBH defecation care robot.

4.7.2 Deep Disinfection

4.7.2.1 Disinfection steps

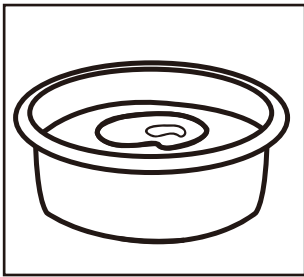
4.7.2.1.1 Rinse the working head with clear water and wait for immersion and disinfection.

4.7.2.1.2 Prepare a container that matches the size of the working head. The soft rubber part of the working head face. Put it into the container (please note: in order to avoid waste of disinfectant tablets, the container should not be too large, the back panel of the working head and the upper edge of the container should be basically flush), and then put it into the container to the back panel of the working head. Remember the capacity of the water.

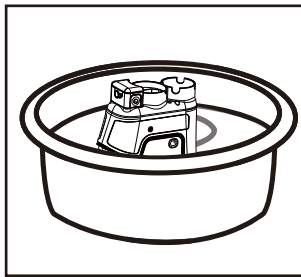


Dibromohydrantoin effervescent tablets

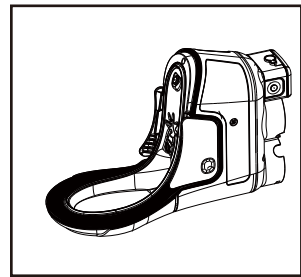
4.7.2.1.3 According to the proportion of 4 dibromohydrantoin effervescent tablets per liter of water, put effervescent tablets into the spray pot. After 30 minutes, take out the working head from the container, wash it and dry it for standby.



Prepare disinfectant



Immersion disinfection



Dry by airing

! WARNING

- The working head cannot be exposed to the sun for a long time.
- The working head should be completely immersed in the disinfectant

4.7.2.2 Disinfection cycle

Disinfection time : The working head needs to be soaked and disinfected with dibromohydrantoin every 3 days

4.7.3 Precautions After Use

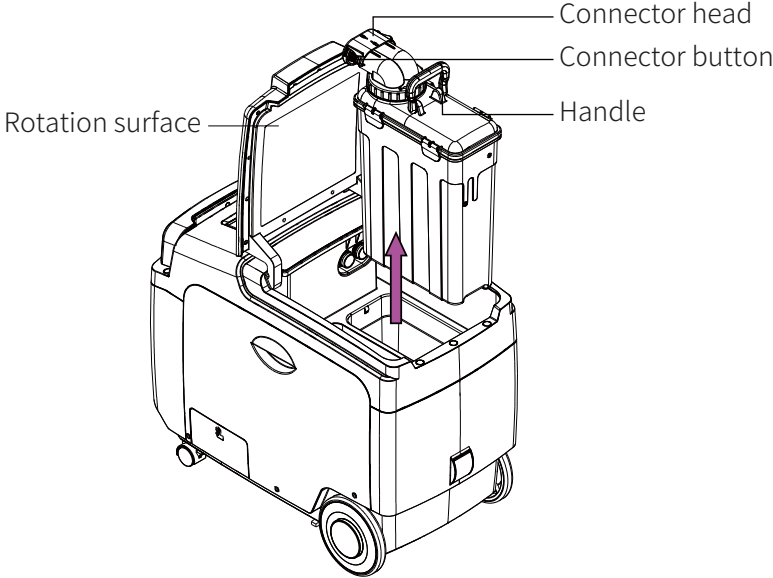
4.7.3.1 Before removing the working head, it is recommended to carry out a manual defecation process;

4.7.3.2 Shut down the machine first, and then remove the working head and bagging pants;

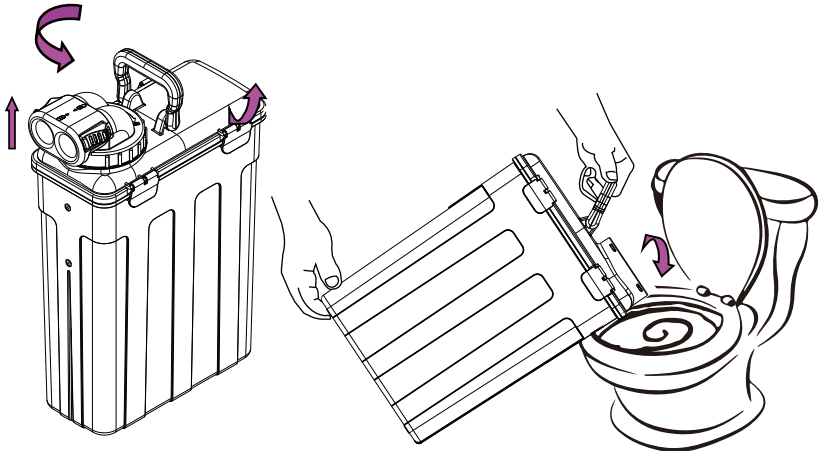
4.7.3.3 Clean the dirt bucket in time after the working head is removed.

4.9 Pollutant Bucket Cleaning

Open the main engine rotation surface and press the bayonet lock, pull out the connector head and raise the pollutant bucket.



Open the rotary knob counterclockwise, and pour the dirt in the bucket into the urinal slowly.

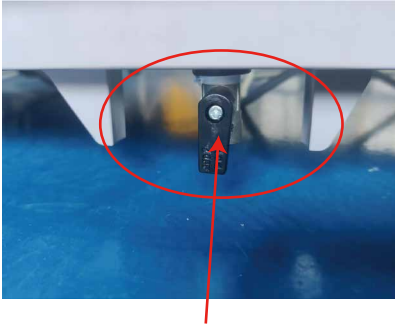


- Open the buckle and use clear water or water to add toilet cleaner to clean the dirt bucket.
- Wipe the water on the outer surface of the dirt bucket with a clean cloth or cotton, and then reassemble. (See installation method of dirt bucket.)

V. TROUBLESHOOTING

5.1 Fault phenomenon: When starting up, water leakage is found at the bottom of the host.

Troubleshooting method: Close the drain valve under the heating water tank.



The drain valve is open



The drain valve is open

5.2 Fault phenomenon: Water leakage from the screw cap of the clean water bucket.

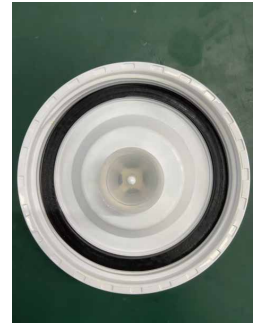
Troubleshooting method: Confirm whether the sealing ring in the barrel cover is loose.



Clean water bucket



Bucket lid seal is loose



Reinstall the sealing ring

5.3 Fault phenomenon: The display frequency appears abnormally and prompts "abnormal working head connection".

Troubleshooting method:

- ① Check whether the signal line connecting the hose and the host are connected normally;
- ② Check whether the working head and the signal line connecting the hose are assembled in place.



Work head communication abnormality



Are the hose joints connected tightly

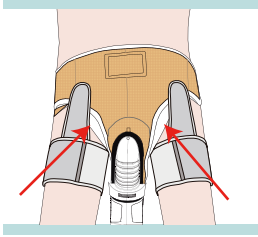


Is the hose signal line inserted in place

5.4 Fault phenomenon: side leakage.

Troubleshooting method:

- ① Confirm whether the bag pants are loose or whether the air bag is leaking;
- ② Confirm whether the panty hose is rotated in place.



The bag pants are worn tightly and there are no gaps on both sides of the air bag



The panty hose trachea is rotated in place

5.5 Fault phenomenon: Whether the bag pants size matches.

Troubleshooting method: Refer to the size reference chart.

Size spec (waistline)

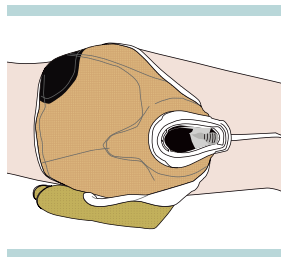
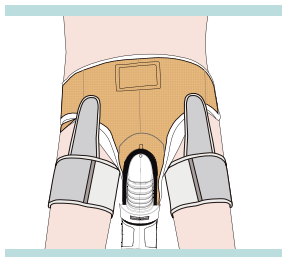
	S/M	L
Women (IN.)	26.0-33.9	31.5-41.7
Man (IN.)	26.0-33.9	31.5-41.7

Warning: In order to reduce the risk of serious consequences caused by improper selection, please be sure to select the bag pants size according to the above sizes. The manufacturer will not be responsible for any consequences caused by improper selection.

5.6 Fault phenomenon: After disassembling the device, the anal stool cannot be flushed cleanly.

Troubleshooting method:

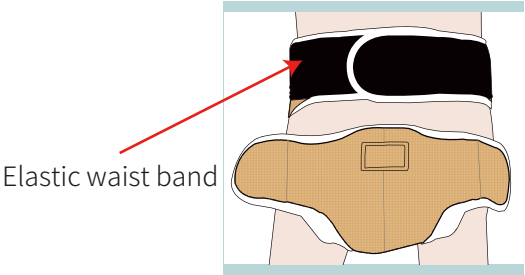
- ① Please confirm whether the underwear is centered when wearing the underwear. After putting on the underwear, check that the underwear bracket is centered around the patient's anus, left and right, up and down, and there is no deviation;



② Before disassembling the machine, a "manual defecation" process must be performed. Before the patient finishes using the machine, perform a stool flushing process in the manual mode of the display; disassemble the machine after the process is completed.



5.7 Fault phenomenon: After disassembling the machine, it is found that the crotch is red. Troubleshooting method: Properly adjust the tightness of the belt of the pants.



5.8 Pipe blockage problem (stool diameter less than or equal to 32mm)
 Fault phenomenon: How to deal with feces blocking the sewage outlet of the working head.
 Troubleshooting method: Remove the working head from the pants, then pull out the hose and waste pipe, take it to the bathroom to clean the clogged stool; reinstall the working head and perform the manual stool processing process.



Remove the working head separately for cleaning



After the installation is completed, perform a manual defecation process

6.9 How to deal with blocked sewage pipes

- Sewage and stool pipe quick-connect design/two waste pipes are included with the machine.
- Take out the sewage pipe and throw it away, then reinstall a new sewage pipe.

Avoid feces clogging inside the host

- The bottleneck of the waste pipe inside the main unit has been increased from 25mm to 32mm.

5.10 Fault phenomenon: After plugging in the power, the machine does not respond when pressing the on/off button.

Troubleshooting method:

- ① Check whether the socket is live and replace it with a live socket;
- ② The reset button of the leakage protection plug is not pressed.



Reset button not pressed



Press the reset button,
the green light turns on

5.10 Fault phenomenon: The room smelled bad when using the care machine.

Troubleshooting method: Troubleshooting method: Replace the deodorizing box every six months after use.



VI. ROUTINE MAINTENANCE AND CONSUMABLES

GENERAL LIST OF DAILY MAINTENANCE CYCLES OF NURSING MACHINES

NUMBER	PART	CLEANING CYCLE	REPLACEMENT CYCLE
1	Working head	Soak and disinfect once every 3 days	6 Months
2	Binding pant	Soak and disinfect once every 3 days	6 Months
3	sewerage	Soak and disinfect once every 3 days	6 Months
4	Pollutant bucket	Disinfect once a day after use	None
		Clean with toilet brush once a week	
5	deodorant assembly	None	6 Months
6	Water tank baffle	Take it out and wipe it once a month	None

6.1 Disinfection method of work head

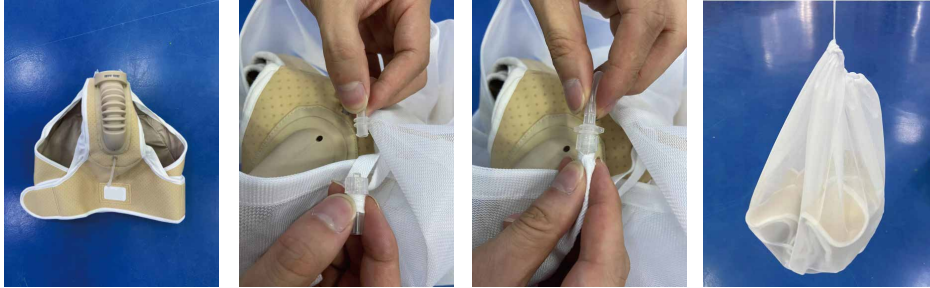
- 6.1.1. After the working head is used for 3 days, it is necessary to soak and disinfect the working head with dibromohydantoin solution;
- 6.1.2. Take out the dibromohydantoin disinfectant tablets and prepare the work head disinfectant according to the ratio of 4 tablets/liter.
- 6.1.3. Thoroughly soak the working head in this disinfectant for 30 minutes, take it out and rinse it, dry it and store it.



6.2 Binding pants Cleaning



- Step 1: Insert the men's quick coupler backwards into the top of the center notch of the wrapped pants holder assembly as shown.
- Step 2: Then use the leg guard strap to wrap the men's quick coupler for limit protection as shown to prevent damage brought about by the quick coupler when the men's bag pants assembly is washed in the washing machine.
- Step 3: The leg guard straps need to be wrapped tightly around the quick connector assembly and the sensor cover protrusion.



- Step 4: Put the pants that need to be cleaned into the mesh bag.
- Step 5: Connect the joint on the bag pants to the mesh bag joint and rotate it into place (to prevent water from entering the inside of the airbag during cleaning).
- Step 6: Tighten the drawstring of the mesh bag (to prevent the pants from falling from the inside of the mesh bag during cleaning).
- Step 7: Put it into the washing machine, add an appropriate amount of washing powder and dibromohydantoin disinfectant tablets; dry it after cleaning is completed and set aside.

- Note: 1. Clean and disinfect the pants every 3 days;
 2. It is recommended that the washing machine or basin used for cleaning the pants should be used exclusively for washing to prevent bacterial infection.

6.3 Hose Cleaning



- Step 1: Make sure all parts of the machine are connected in place when the machine is switched off; pour an appropriate amount of citric acid or disinfectant into the working head;
- Step 2: Connect the working head of the cleaning hose to the working head of the machine and lock the two sides of the hose in place;
- Step 3: Switch on the machine and click on the hose cleaning button in manual mode to start filling the hose with water;
- Step 4: 30 minutes after the completion of water injection, the machine will automatically suck the spoils into the dirt bucket, hose cleaning is complete.

Note: The hose needs to be cleaned 1 time every 3 days.

6.4 Cleaning and disinfection of waste bins

- 6.4.1. Daily cleaning of the garbage bucket: After each use, empty the dirt inside the garbage bucket, put in 4 dibromohydantoin disinfectant tablets, add about 1L of clean water, shake evenly, and then pour it into the toilet, Finish.
- 6.4.2. Deep cleaning of the dirt bucket: Open the 4 buckles of the dirt bucket, pour in an appropriate amount of cleaning fluid, such as toilet cleaning fluid, clean it with a toilet brush, rinse it with clean water, and put it back into the machine case (1 week Wash once around).



6.5 Cleaning of water tank partitions

Every once in a while (about a month), take out the heating water tank partition, and then wipe the surface of the heating water tank and the heating water tank partition with a clean paper towel to remove sphagnum, scale and other attached dirt.



6.6 Replacement of deodorizing box

The deodorizing box is a consumable part. You can take out the deodorizing box by pressing the spring tab to open it. It is recommended to replace it regularly every 6 months to achieve the best air purification effect. Please turn off the power when replacing.



6.7 Cleaning and disinfection of waste bins

When the machine is not used for a long time, please unplug the leakage protection plug, empty the clean water bucket and dirt bucket, and drain the water in the heating water tank at the same time.



Leakage protection plug



Sewage bucket and clean water bucket



bottom of water tank



Drainage valve open

6.8 It is recommended to replace the work head, bag pants, waste tube, and deodorizing box once every six months.



VII. PRODUCTS RECOVERY

When the product reaches the end of its life, please send it to a suitable place to protect the environment.

VIII. WARRANTY: One year

8.1 Exception clause

- 8.1.1 The machine is damaged because of the wrong voltage.
- 8.1.2 Damage caused by self - assembly or repair.
- 8.1.3 Damage caused by force majeure (e.g. earthquake, fire, war, etc.).
- 8.1.4 Failure to operate in accordance with this manual may result in machine failure, skin redness, blistering, bedsores, infection, etc.

8.2 Return policy

- 8.2.1 Products from the date of sale within 7 days has performance failure, consumers can choose to return, replacement or repair.
- 8.2.2 Within 15 days from the date of sale of the product, performance failure occurs, the consumer can choose to replace or repair.

HINT

When using the nursing machine, it is recommended to use it with an inflatable turn-over mattress so that you can turn over at night without manual assistance. (Special note: When the inflatable turn-over mattress is used in conjunction with the nursing machine, manual assistance is not required for turning over; when the air mattress is not used, manual assistance is required for turning over every 2 hours)

Note: The factory does not configure the inflatable turn-over mattress, users must purchase it by themselves.





SOLONIC

If there are any technical changes to the product, they will be incorporated into the new version of the manual without prior notice. If the appearance and color of the product are changed, please refer to the actual product. If there are printing errors or misunderstandings in the content of this manual, our company reserves the right of final interpretation.